

# We work in your Field

OEM Solutions for Precision Farming



Product Catalogue OEM 2020



**ME** **MÜLLER**<sup>®</sup>  
**ELEKTRONIK**

A TRIMBLE COMPANY



# Content

## Precision Farming

### Terminals with ME apps

APP & GO®	4
ISOBUS touch terminals	6
ISOBUS non-touch terminals	7
Accessories for ISOBUS terminals	8

### Steering systems & GPS

GNSS/RTK (Trimble)	12
GPS/RTK	14
TRACK-Leader AUTO® EZ-Pilot Pro	16
TRACK-Leader AUTO® CAN Autopilot	17

## Seeding

Function overview Precision planter	18
PRECIMAT	19
ISOBUS monitoring module stand alone	20
ISOBUS PLANTER-Controller with monitoring module	21
ISOBUS PLANTER-Controller with junction box	22
ISOBUS PLANTER-Controller with control module	24
ISOBUS PLANTER-Controller MRC	25
Function overview Seeder	26
DRILLMAT III	27
ISOBUS DRILL-Controller	28
DRILL-Control	30

## Crop protection

### Control and monitoring systems

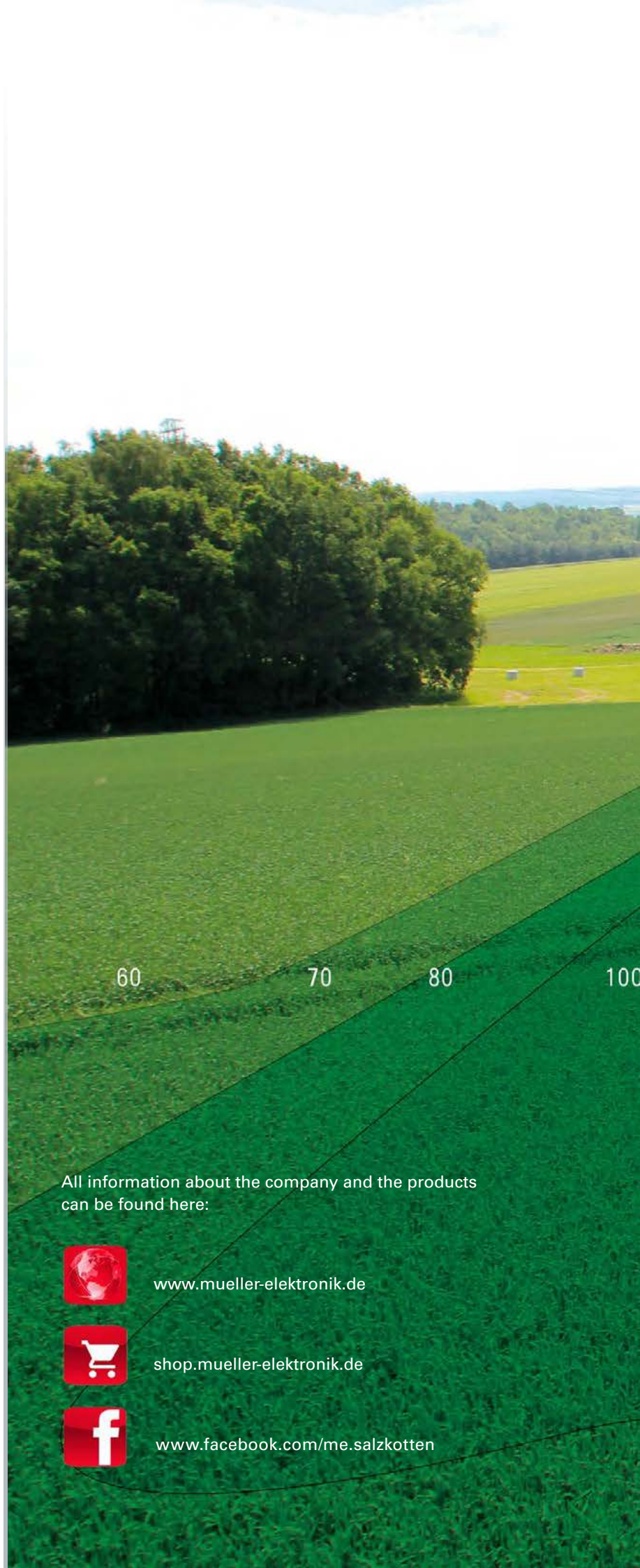
Function overview	31
ISOBUS SPRAYER-Controller	32
SPRAYDOS short/long	34
TANK-Control	36
TANK-Control III	37
ISOBUS TRAIL-Control	38
ISOBUS DISTANCE-Control	40
ISOBUS DISTANCE-Control II	41
SECTION-Control TOP	42
ISOBUS SPRAYER-Controller Orchard / Vineyard	44
ISOBUS HOEING-Controller	46

## Fertilization

Function overview	49
SPRAYMAT II for slurry tanker	50
ISOBUS SLURRY-Controller	51
ISOBUS SPREADER-Controller	52
ISOBUS UNI SPREADER-Controller	53

## Spare parts

55



All information about the company and the products can be found here:



[www.mueller-elektronik.de](http://www.mueller-elektronik.de)



[shop.mueller-elektronik.de](http://shop.mueller-elektronik.de)



[www.facebook.com/me.salzkotten](https://www.facebook.com/me.salzkotten)





60

100

AEF Certified

**ISO BUS**

[www.aef-isobus-database.org](http://www.aef-isobus-database.org)

UT	TECU	AUX-N
TC-BAS	TC-GEO	TC-SC
...	...	...

ME job computers comply with ISOBUS standard 11783 and are AEF-certified. You can find the current state of the certified functionalities\* in the AEF database.

\* subject to change

# APP & GO® – Terminal apps


Flexibility and guaranteed future are unbeatable advantages of the APP & GO® concept. In the first step, each user selects a terminal that corresponds to their requirements.







In addition to the activated standard apps, other pre-installed apps can be unlocked as required.

The table shows the standard apps that are found on the different terminals

- = Default app
- = Optional app
- = Not possible

\* 1 ISOBUS-UT is required for this app  
 \* 2 TRACK-Leader is required for this app  
 \* 3 This app requires:  
 - ISOBUS-TC for target rate transfer only  
 - TRACK-Leader and SECTION-Control for automatic section control  
 \* 4 Sold exclusively by Agricon  
 \* 5 ISOBUS-TC is required for this app

		Terminals
APPS		 SMART430®
 <b>ISOBUS-UT</b>	Activated the ISOBUS implement control. The corresponding terminal thus complies with the ISO-BUS standard. It can be used as an Universal Terminal (UT) to control any implement that complies with the standard, regardless of the manufacturer.	●
 <b>ISOBUS-TC*1</b>	Activates the Task Controller (ISOBUS-TC) and therefore ISOBUS task management. It is the link between the FMIS at the workplace and the control system on the implement. In addition to classic task management, the app also offers the option of importing field data in shape format.	—
 <b>MULTI-Control</b>	Perfect for complex work processes with simultaneous multiple application. With MULTI-Control, a separate prescription map can be assigned to each part of the machine on request. Together with the included MULTI SECTION-Control, precision farming in a class of its own is guaranteed.	—
 <b>TRACK-Leader</b>	Combined with a DGPS receiver, TRACK-Leader enables exact parallel driving even in poor visibility (A/B, A+, headland, contour mode). Obstacles can be marked and saved with field data such as boundaries and guidance lines.	—
 <b>TRACK-Leader AUTO®*2</b>	Activates automatic steering. It enables precise operation under any light and weather conditions. The system works very precisely, overlaps and skips are prevented. This reduces the resources used and relieves the driver.	—
 <b>SECTION-Control*2</b>	This app provides GPS-controlled activation and deactivation of implements, implement sections or single nozzles. SECTION-Control can control up to 256 sections or single nozzles.	—
 <b>ASD*3</b>	Activates serial communication via the ASD protocol. With this interface, target rates and section status can be transmitted between terminals and other control units (both devices must support ASD protocol).	—
 <b>TRAMLINE-Management*2</b>	Displays the tramline rhythm selected by the driver on the TRACK-Leader screen. This allows the driver to work in pattern intervals, which eliminates the need for manoeuvring at the headlands to drive the adjacent guidance line.	—
 <b>VRC*2</b>	This app enables the use of prescription maps in shape format, which define the location-based target rates for the field sprayer. For the application of fertilizers, for example, it enables working with several fertilizers and prescription maps at the same time. Each fertilizer or nutrient has its own specific prescription map.	—
 <b>agricon*4</b>	Enables operation of the Precision Farming Box (PF-Box) on all ME terminals. The software contains all of the agronomic applications required for location based cropping methods with YARA N-Sensors and P3-Sensors from Agricon.	—

ISOBUS non-touch terminals			ISOBUS touch terminals	
  SMART570®	 BASIC-Terminal	 COMFORT-Terminal	 TOUCH800®	 TOUCH1200®
●	●	●	●	●
—	○	●	○	●
—	—	—	○	○
—	○	○	○	○
—	—	—	○	○
—	○	○	○	○
—	○	○	○	○
—	—	—	○	○
—	○	○	integrated in ISOBUS-TC-App	integrated in ISOBUS-TC-App
—	—	—	○	○



# ISOBUS touch terminals

## TOUCH800®

The TOUCH800® impresses with modern technology and an unsurpassed variety of functions. With the 8" display and capacitive touch screen, ideal operation is guaranteed. Like usual, the functions can be shown in a main window and in a header. Equipped with MULTI-Control, the TOUCH800® and the TOUCH1200® are superior to other ISOBUS terminals. In addition, the TOUCH800® offers many upgrade options by a great variety, including apps and automatic steering.



## TOUCH1200®

The TOUCH1200® is the ISOBUS terminal offering the most functions – unbeatable in terms of flexibility and user friendliness. TOUCH1200® can be used both in portrait and in landscape format. Up to five precision farming functionalities can be displayed simultaneously in different layouts and control interfaces. It also features a capacitive touch screen, making this technology ideal for rough, practical use. Equipped with MULTI-Control, the two touch terminals from ME are superior to other ISOBUS terminals.



ISOBUS terminals	Part no.
SMART430®	30322505
SMART570®	30322507
BASIC-Terminal	30322511
COMFORT-Terminal	30322528
TOUCH800® with camera port	30322538
TOUCH1200® with camera port	30322537

APPS**	Part no.
ISOBUS-UT	30302435
ISOBUS-TC	30302436
MULTI-Control	3030248965
TRACK-Leader	30302432
TRACK-Leader AUTO®	30302514
SECTION-Control	30302450
TRAMLINE-Management	30302519
VARIABLE RATE-Control (VRC) for non-touch terminals	30302512
ASD	30302431
ME ODI®	3030248966
agrimon	Sold only by Agricon

# ISOBUS non-touch terminals

## SMART430®

SMART430 is the clever entry in the ISOBUS world. The terminal is equipped with the ISOBUS-UT app as a standard. The 4.3" colour screen clearly displays simple implement applications. SMART430® fulfils the requirements for protection class IP69 and is therefore also suitable for use outside of the tractor cab.



## SMART570



The SMART570 operating and display device complies with ISOBUS standard ISO 11783 and can be used as an Universal Terminal (UT) on all ISOBUS machines, regardless of manufacturer. The colour display of the SMART570 has a resolution of 640 x 480 pixels. The SMART570 offers a capacitive touch screen, a membrane keyboard and a rotary encoder for optimum operation of the connected implement.



## BASIC-Terminal

The BASIC-Terminal is the ideal entry-level solution for ISOBUS technology. With the ISOBUS-UT (Universal Terminal) app, the unit complies with the ISOBUS standard and can be used on all ISOBUS implements, regardless of the manufacturer. The BASIC-Terminal appeals with its attractive entry-level price and numerous optional add-ons, such as ISOBUS task management or parallel driving and SECTION-Control.

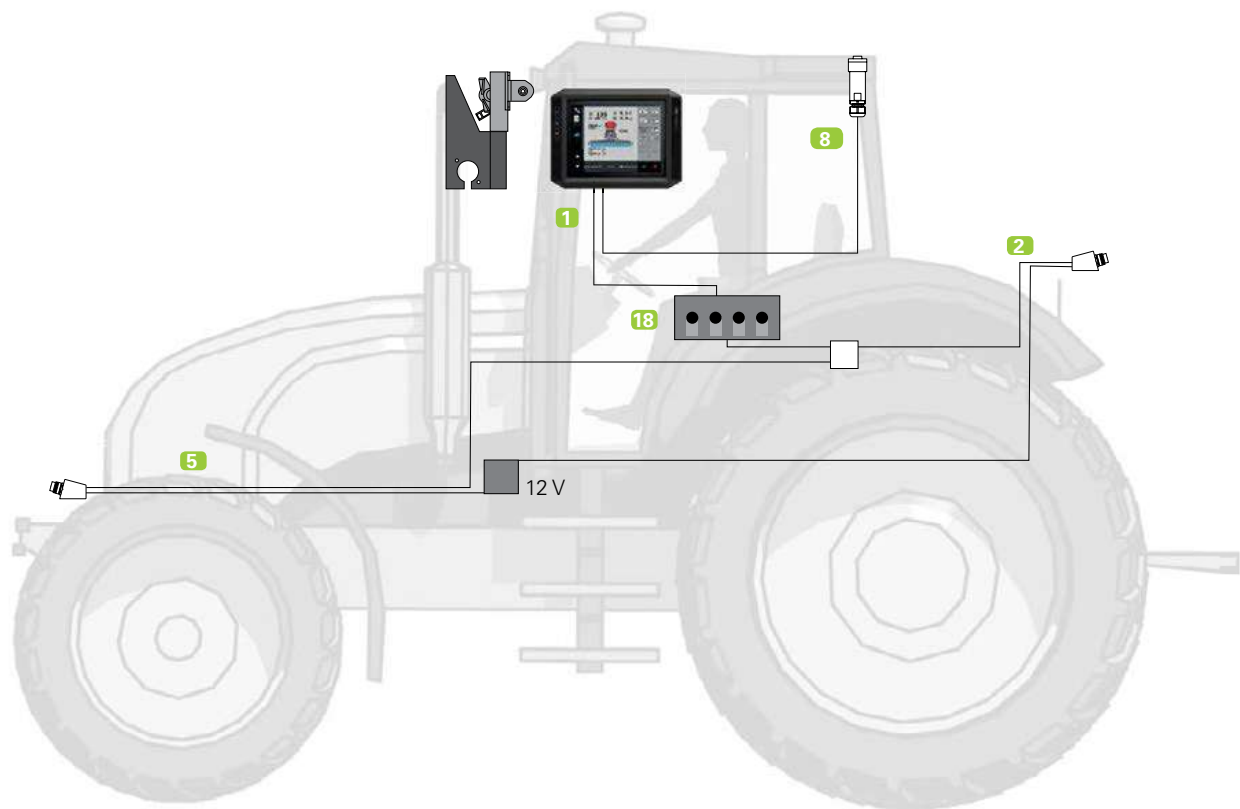


## COMFORT-Terminal

The COMFORT-Terminal is ISOBUS-compatible and meets the highest precision farming demands. The 10.4" screen shows all relevant details at a glance. Its standard equipment includes the apps ISOBUS-UT and ISOBUS-TC (Task Controller), enabling task management and prescription map processing in ISO-XML format.



# Accessories for ISOBUS terminals





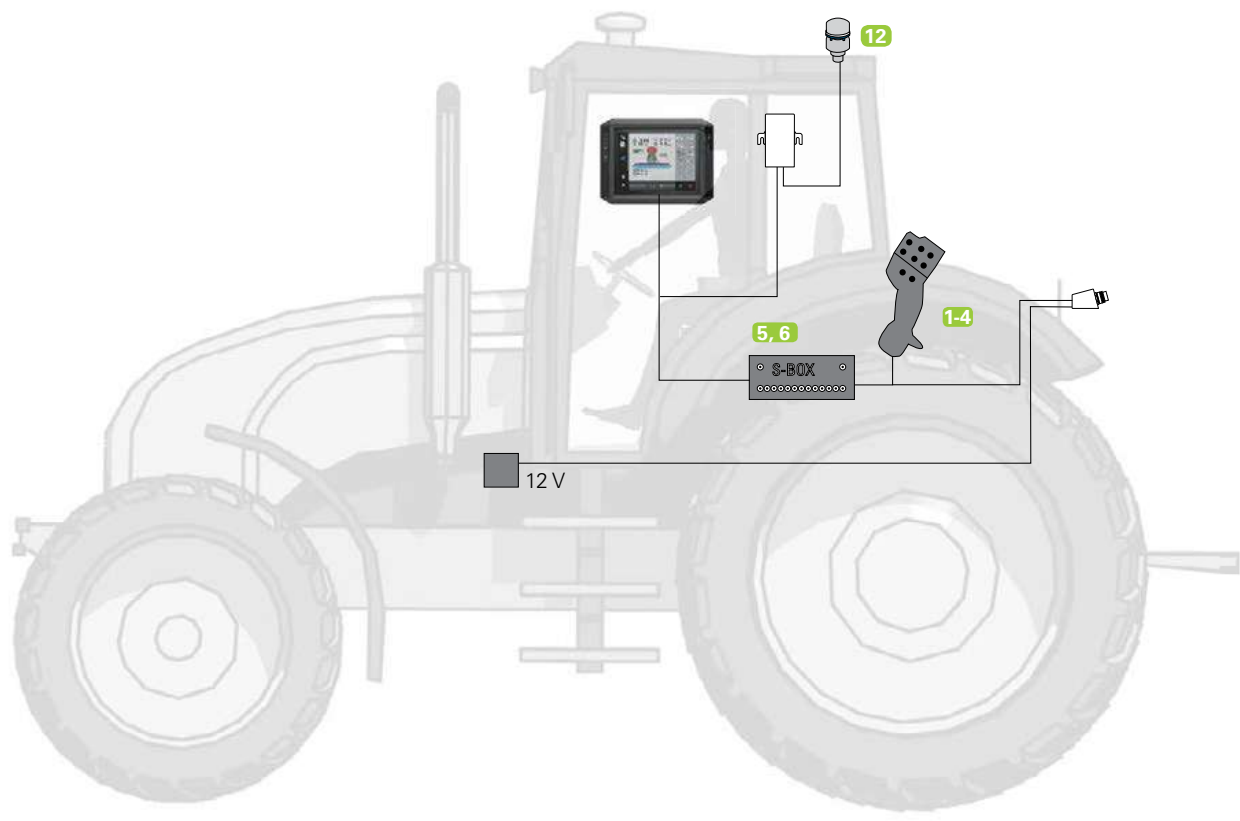
Tractor basic vehicle harness		Part no.
1	ISOBUS basic vehicle harness for tractors with In-Cab-Connector	30322541
2	ISOBUS basic vehicle harness with 9-pin CPC connector, with rear socket 2.9 m cable, 50 A	30322574
3	Connector cable SMART430® to ME basic vehicle harness with 9-pin Sub-D connector	31322596
4	Connector cable SMART430® to ISOBUS basic vehicle harness with 9-pin CPC connector	31322597
5	ISOBUS basic vehicle harness with front and rear socket, cable length for front socket 6 m, rear socket 2.9 m	30322558
6	Connector cable for ME terminals for John Deere 7020/7030/8030	30322543
7	Adapter cable in-cab-connector with 9-pin CPC connector for tractors with ISOBUS (e.g. CASE, NEW HOLLAND)	30322547

### Accessories

8	Adapter cable for ME terminal (Non-touch terminal starting at HW 3.0.0 and touch-terminal) to the signal socket in accordance with DIN 9684.1/ISO 11786 for using the Tractor-ECU	30322548
9	Adapter cable for SMART430® to the signal socket in accordance with DIN 9684.1/ISO 11786 for using the tractor ECU	31322598
10	Adapter cable for ME terminal (Non-touch terminal starting at HW 3.0.0 and touch-terminal) with the ASD app for using a third-party terminal e.g. Rauch, Quantron E, E2	3032254800
11	GPS connector cable for ME terminal to Fendt Auto-Guide	30302472
12	Y cable for 2 ME terminals or AMATRON+	30322572
13	Y cable for ME-Terminal to ISOBUS basic vehicle harness (CPC InCab) with CPC connector	31322595
14	Y cable for ME-Terminal to ISOBUS basic vehicle harness (CPC InCab) with CPC connector	31322594
15	Mounting bracket VESA75 for touch terminals on round pipe systems with a diameter of 20, 25 or 30 mm	31322508
16	Pivoting bracket VESA75 for touch terminals	31322507
17	Suction bracket with basic vehicle harness for securing the TRACK-Guide to the plate	31302471
18	CPC quadruple box	3032257801
19	Y cable for 2 ME terminals or AMATRON+	30322572
20	Connector cable for SensorY with 3-pin socket, on TRACK-Guide II and TRACK-Guide III	31302499
21	SensorY for work position, 5 m cable with 3-pin connector	312089



# Accessories for ISOBUS terminals



## Joystick ISOBUS terminal

		Part no.
1	Joystick III for connection to ME terminal with 9-pin Sub-D connector and socket, sealed buttons, Aux 1/Aux 2	3032258305
2	Joystick III for tractors with an ISOBUS in-cab connector with 9-pin CPC socket, sealed buttons, Aux 1/Aux 2	3032258607
3	Joystick III for tractors with an ISOBUS in-cab connector for third-party terminals with 9-pin CPC connector and socket	3032258106
4	Joystick PRO with 9-pin CPC socket	3032258620

## S-Box

5	S-Box, 9 sections with 9-pin Sub-D connector	30322608
	S-Box, 13 sections, with 9-pin Sub-D connector	30322616
	S-Box, 18 sections, with 9-pin Sub-D connector	30322618
6	S-Box, 9 sections, with 9-pin CPC connector for third-party terminals	30322638
	S-Box, 13 sections, with 9-pin CPC connector for third-party terminals	30322646
	S-Box, 18 sections, with 9-pin CPC connector for third-party terminals	30322647

## Camera

7	Analogue HQ2 camera with 11 m cable for non-touch terminals	3030249101
8	Analogue HQ2 camera with 11 m cable for touch terminals	3030249401
9	Analogue NQ camera with 11 m cable for touch terminals	3030249400
10	Extension cable for HQ and NQ camera, 5 m	31303060
11	Extension cable for HQ2 camera, 5 m	3130306001

## Other accessories

12	ISOBUS Weather Station with 9-pin CPC connector	3030247104
----	---	------------



# GNSS / RTK (Trimble)

**NEW**

## GNSS receiver from Trimble

		Part no.
1	GNSS receiver Ag-200 Path to path accuracy 15-20 cm, 6 m	3030247701
	GNSS receiver Ag-200 Path to path accuracy 15-20 cm, 12 m	3030247702
2	GNSS receiver NAV-900 Path to path accuracy 10-15 cm, 5 m	upon request
3	Connection kit EXP-900L for NAV-900 on touch terminals, 1.5 m	3032254903

## RTK modem GX450 NtripWiFi, complete set

LTE/WIFI modem GX450	3038990020
Connector cable for modem GX450, 6-pin DT connector to 9-pin Sub-D connector, 0.4 m	3038990027
Connector cable power supply for modem GX450	
Connector cable NAV-900 to 6-pin DT connector, 4.5 m	

## Activation NAV-900 (GPS quality levels)

Activation of accuracy level "Basic to high", Demo version 10 days, required for CenterPoint RTK and CenterPoint VRS	3038990009
Activation of accuracy level "Basic to high", required for CenterPoint RTK, CenterPoint VRS, CenterPoint RTX fast	3038990010
Activation accuracy level "Basic to Intermediate", required for CenterPoint RTX standard	3038990011
Activation accuracy level "Intermediate to High", from CenterPoint RTX standard to CenterPoint RTK, CenterPoint VRS or CenterPoint RTX fast	3038990012

## Accessories

	Mounting plate for Ag-200	3130247702
4	Connector cable for Ag-200, 6 m	3130247700
	Connector cable for Ag-200, 12 m	3130247703
	Mounting plate for NAV-900	upon request
	NAV-900 "QuickRelease" mounting bracket	3038990026
	Extension connector cable to NAV-900, 2,5 m	3138990003
	Connector cable to NAV-900, 5 m	3138990004
5	Connector cable power supply EXP-900L, 1.5 m	3132259001
6	EXP-900L, Converter BroadR-Reach to Ethernet	3132259000
	Ethernet cable 2x M12 D-coded, 1 m	3132259002

1



2



3



4



5



6



7



# GNSS / RTK (Trimble)

**NEW**



Function overview	Ag-200	NAV-900		Transmission	Accuracy	Range	Costs
Frequency	L1	L1	L2				
<b>GPS</b> Name of the American global satellite navigation system.	●	●				World-wide	Free of charge
<b>GLONASS</b> Name of the Russian global satellite navigation system.	●	●				World-wide	Free of charge
<b>GALILEO</b> Name of the European global satellite navigation system.	●	●				World-wide	Free of charge
<b>EGNOS / WAAS (available in Europe, North-America)</b> Is a free correction signal that is transmitted by satellite. It is used for simpler field work. EGNOS is suitable for field work such as spraying, cultivation, fertiliser spreading, slurry spreading and harvesting.	●	●	●		Path to path <b>&lt;25 cm</b>	Europe, USA	Free of charge
<b>xFill</b> Based on Trimble's RTX technology, xFill enables seamless, centimeter-precise bridging of VRS or RTK signal failures.	—	●			<b>2.5 cm</b>	World-wide	xFill: free of charge xFill Premium: Licence fees
<b>Range-Point RTX</b> A satellite-based correction service for path to path accuracies of 15 cm available almost worldwide. No local base station or modem is required.	—	●			<b>15 cm</b>	World-wide	Licence fees
<b>ViewPoint RTX</b> Is a satellite based correction service for Trimble L1 GNSS receivers that will be available almost worldwide in the future. No local base station or modem is required.	●	—				World-wide	Licence fees
<b>CenterPoint RTX</b> Is an almost worldwide available satellite based correction service for accuracies up to 2.5 cm. No local base station or modem is required.	—	●			absolute <b>2.5 cm</b>	World-wide	Licence fees
<b>CenterPoint RTX fast</b> Initialization time of less than 1 minute. It is available in selected regions and requires neither a local base station nor a modem.	—	●			absolute <b>2.5 cm</b>	Europe, USA	Licence fees
<b>CenterPoint RTK</b> Describes the correction procedure in which RTK correction data is sent from a local base station to the GNSS receiver via a radio link. An external modem is required.	—	●			absolute <b>2.5 cm</b>	location-dependent	licensing costs possible
<b>CenterPoint VRS</b> Describes the correction procedure in which RTK corrections are sent via a network consisting of base stations and servers via mobile Internet to the GNSS receiver. An external mobile radio modem is required.	—	●			absolute <b>2.5 cm</b>	depending on mobile network	Licence fees

# GPS / RTK

## GPS receiver

		Part no.
1	DGPS receiver A101 Path to path accuracy $\pm$ 25 cm, 6 m cable	3030246900
	DGPS receiver A101 Path to path accuracy $\pm$ 25 cm, 12 m cable	3030246901
2	DGPS / GLONASS receiver AG-STAR, Path to path accuracy $\pm$ 20 cm, 6 m cable	3030247600
3	DGPS / GLONASS receiver SMART-6L, Path to path accuracy $\pm$ 15 cm, 6 m cable	3030247606
L-BAND activation for SMART-6L, necessary for TerraStar-C		3030248930
RTK activation for SMART-6L Absolute accuracy $\pm$ 2 cm		3030248931
4	GSM/GPRS modem for SMART-6L for e.g. AXIO-NET FarmRTK	3030248920
5	GSM/GPRS antenna with magnetic pedestal and self-adhesive metal plate	3030248912
6	GSM/GPRS dual SIM modem for SMART-6L, with connection distributor and 2 antennas	3030248926
7	DGPS/GLONASS receiver SMART-6L with RTK activation and GSM/GPRS modem for e.g. AXIO-NET FarmRTK, absolute accuracy $\pm$ 2 cm	3030248901
8	DGPS/GLONASS receiver SMART-6L with RTK activation and GPRS-Dual SIM modem with connection distributor and 2 antennas for e.g. AXIO-NET FarmRTK, absolute accuracy $\pm$ 2 cm	3030248925
9	Connection distributor for third-party RTK modem to SMART-6L	3030248929

## TerraStar licence fees

TerraStar-C licence fee, 1 year subscription	NET	3030248932
TerraStar-C licence fee, 3 month subscription	NET	3030248952
TerraStar-L licence fee, 1 year subscription	NET	3030248935

## RTK-Assist licence fees

RTK-Assist licence fee, 1 year subscription	NET	3030248936
---	-----	------------





Accessories GPS receiver

Accessories GPS receiver		Part no.
10	Tilt module GPS to compensate for side incline on hilly terrain	30302495
11	Mounting accessories for A100/A101 for second tractor self-adhesive metal plate – counterpart to the magnetic pedestal	31302465
12	Mounting accessories for AG-STAR/SMART-6L for second tractor self-adhesive metal plate – counterpart to the magnetic pedestal	3130247601
13	Connector cable A100/A101 to ME terminal, 6 m	31302462
	Connector cable A100/A101 to ME terminal, 12 m	31302468
14	Connector cable AG-STAR/SMART-6L to ME terminal, 6 m	31302476
	Connector cable AG-STAR/SMART-6L to ME terminal, 12 m	3130247607
15	Connector cable A100/A101, with speed output for the terminal	31302457
16	Connector cable AG-STAR, with speed output for the terminal	31302454
17	Dust protection cap for A101	31300557
18	Dust protection cap for AG-STAR / SMART-6L	31300583
19	Y cable for A100/A101 to connect to 2 displays	31302459

Overview of the GPS receivers and their path-to-path accuracies

	Costs of the correction signal	L1 receiver		L1 / L2 receiver
		A101	AG-STAR	SMART-6L
EGNOS/WAAS	free of charge	25 cm	20 cm	15 cm
GLIDE	free of charge	No	25 cm	15-18 cm
GLONASS	free of charge	No	Yes	Yes
TerraStar-C	charge payable	no	no	4 cm
TerraStar-L	charge payable	no	no	10-15 cm
RTK	charge payable	no	no	2 cm

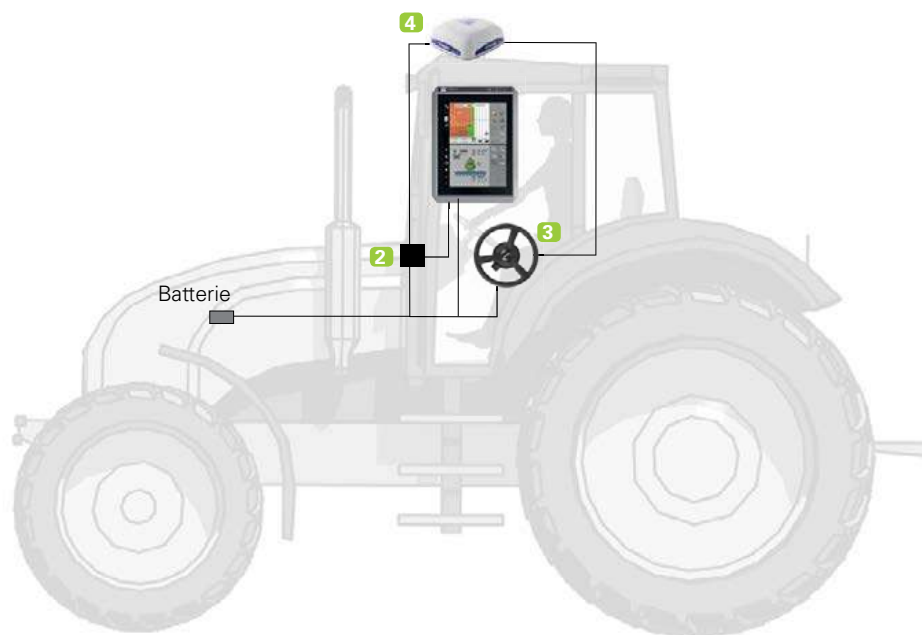
The data specified here are reference values. Variations may occur.

**RTK-GSM**

The RTK receivers are compatible with AxioNET, SmartNet, RTK Clue, AgCel-Net and other NTRIP networks.



# Automatic steering



## Automatic steering – TRACK-Leader AUTO® EZ-Pilot Pro

		Part no.
1	NAV-900 GNSS and steering job computer, configured (Trimble), incl. brack and connector cable	upon request
	Activation EZ-Pilot Pro Steering (Demo license for 10 days)	3038990002
	Activation EZ-Pilot Pro Steering	3038990006
2	Connection kit EXP-900L for NAV-900 on touch terminals, 1.5 m	3032254903

## Automatic steering for retrofitting – TRACK-Leader AUTO® EZ-Pilot Pro

3	EZ-Pilot Pro steering wheel motor, kit incl. steering wheel, steering wheel motor and wiring harness	upon request
4	NAV-900 on touch terminals, kit incl. NAV-900, EXP-900L, connection cable set	upon request

## Accessories

5	Connector cable NAV-900 to steering motor	3138990002
---	---	------------



# Automatic steering



## Automatic steering – TRACK-Leader AUTO® CAN Autopilot

		Part no.
1	NAV-900 GNSS and steering job computer, configured (Trimble), incl. brack and connector cable	3138990001
Activation Autopilot steering		3038990003
Activation CAN Autopilot steering		3038990004
Activation CAN Autopilot to Autopilot steering		3038990005
2	Connection kit EXP-900L for NAV-900 on touch terminals, 1.5 m	3032254903
3	Vehicle-specific steering on existing hydraulics or CAN connection on request.	upon request

1



2

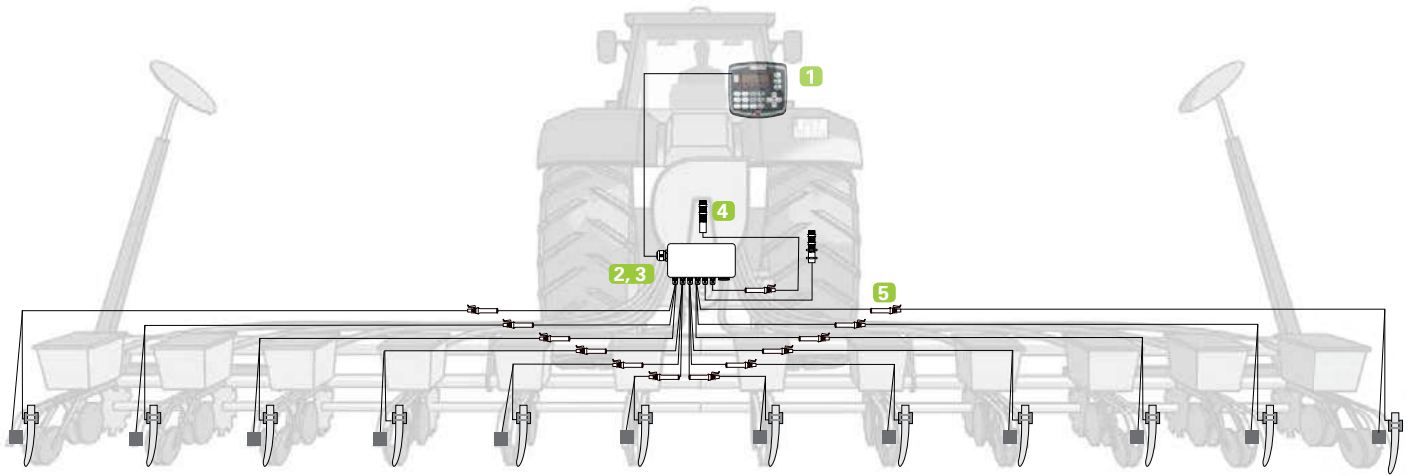




# Function overview Precision planter

	PRECIMAT	ISOBUS monitoring module stand alone	ISOBUS PLANTER-Controller with junction box	ISOBUS PLANTER-Controller with monitoring module	ISOBUS PLANTER-Controller with control module	ISOBUS PLANTER-Controller with MRC module
<b>Number of metering units</b>	-	-	-	up to 12	up to 12	up to 12
<b>Pre-metering</b>	-	-	-	●	●	●
<b>Target rate adjustment</b>	-	-	-	●	●	●
<b>Fan</b>	1	1	1	1	1	1
<b>Tramline</b>	-	-	●	-	●	●
<b>Blockage monitoring</b>	Without shut-off up to 18 rows, with shut-off up to 12 rows	up to 48 rows with 3 modules	48	128	64	72
<b>Internal task counters</b>	●	-	●	●	●	●
<b>Product database</b>	-	●	●	●	●	●
<b>Folding</b>	-	-	-	●	●	●
<b>Lifting/Lowering</b>	-	-	-	●	●	●
<b>ISOBUS</b>	-	●	●	●	●	●
<b>ISOBUS-TC</b>	-	-	●	●	●	●
<b>SECTION-Control</b>	-	-	●	●	●	●
<b>MULTI-Control</b>	-	-	●	●	●	●

# PRECIMAT



## PRECIMAT

		Part no.
1	PRECIMAT computer	30283650
2	Junction box for machines without a row shutoff system, up to 12 rows, 6.5 m	30283701
	Junction box for machines without a row shutoff system, up to 12 rows, 10 m	30283702
3	Junction box for machines with a row shutoff system, up to 12 rows, 10 m	30283706
4	Revolution sensor with AMP connector	30303623
5	Connector cable for sensors, 1.10 m with 3-pin AMP socket to junction box	3030329706
	Connector cable for sensors, 2 m with 3-pin AMP socket to junction box	30303294
	Connector cable for sensors, 4 m with 3-pin AMP socket to junction box	30303296
	Connector cable for sensors, 6 m with 3-pin AMP socket to junction box	30303295
	Standard optical sensor with customer-specific bracket	upon request

1



2, 3



4

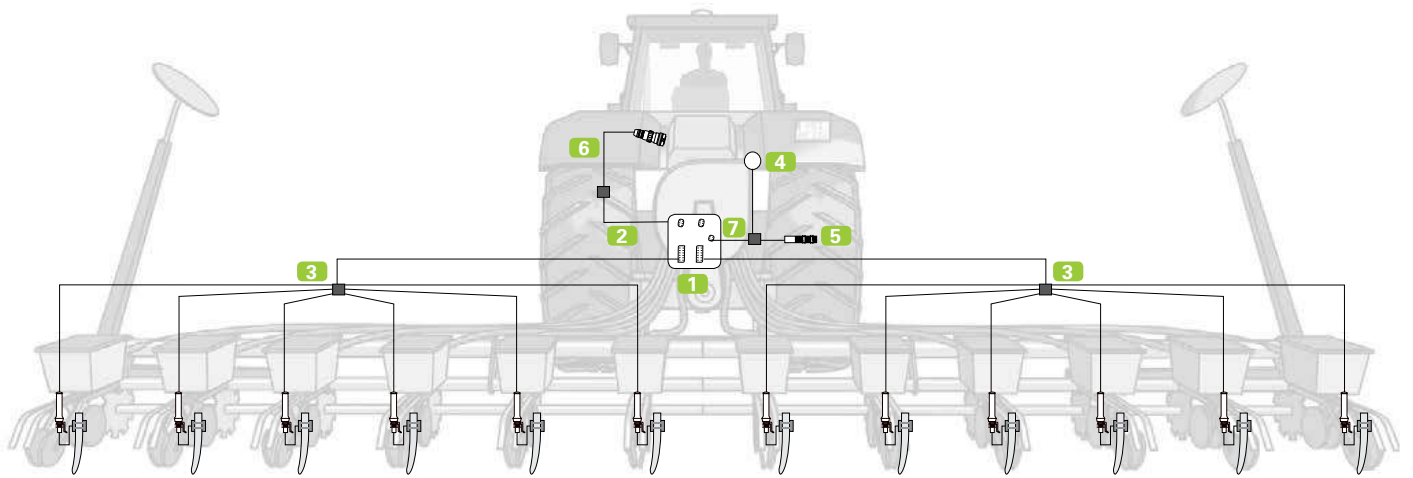


5

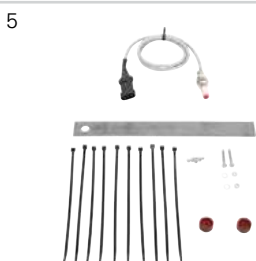


# ISOBUS monitoring module

## Stand alone

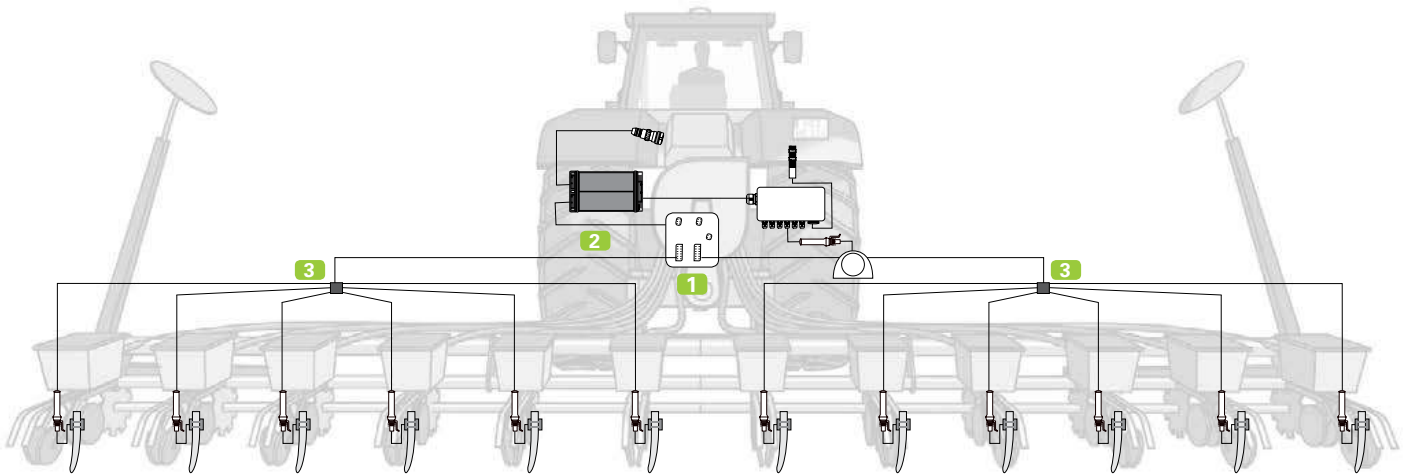


		Part no.
1	ISOBUS monitoring module precision planter	30284103
2	Adapter cable ISOBUS to monitoring/control module	30284116
3	Cable harness, monitoring module	30284110
4	GPS speed sensor	30258330
5	Work position sensor, 1 m cable with AMP connector	30303615
6	Connector cable, ISOBUS job computer, 1 m	3030314301
	Connector cable, ISOBUS job computer, 2.5 m	3030314601
	Connector cable, ISOBUS job computer, 4 m	3030314401
	Connector cable, ISOBUS job computer, 5.5 m	3030314801
	Connector cable, ISOBUS job computer, 6.5 m	3030314001
	Connector cable, ISOBUS job computer, 8.5 m	3030314201
	Connector cable, ISOBUS job computer, 11 m	3030314101
	Connector cable, ISOBUS job computer, 14 m	3030314701
7	Connection cable sensors monitoring/control module	30284117
8	PLANTirium® sensor, seed tube sensor for seed detection using imaging sensor technology	30293600





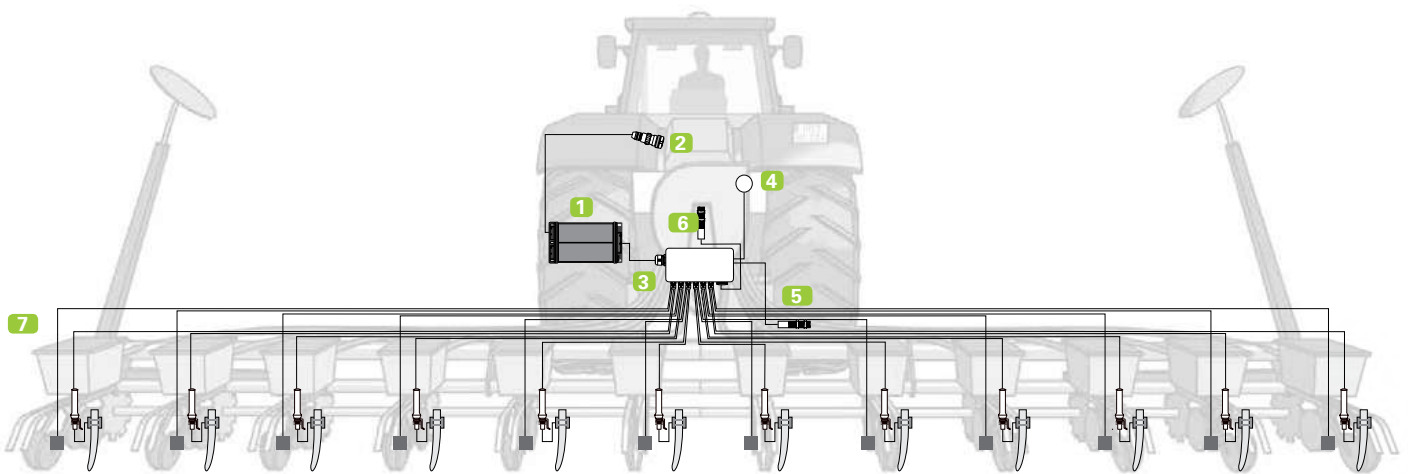
# ISOBUS PLANTER-Controller with monitoring module



		Part no.
1	Monitoring module precision planter	30284100
2	Connector cable, monitoring/control module, 0.5 m	30284115
	Connector cable, monitoring/control module, 10 m	30284118
3	Cable harness, monitoring module	30284110
4	PLANTirium® sensor, seed tube sensor for seed detection using imaging sensor technology	30293600

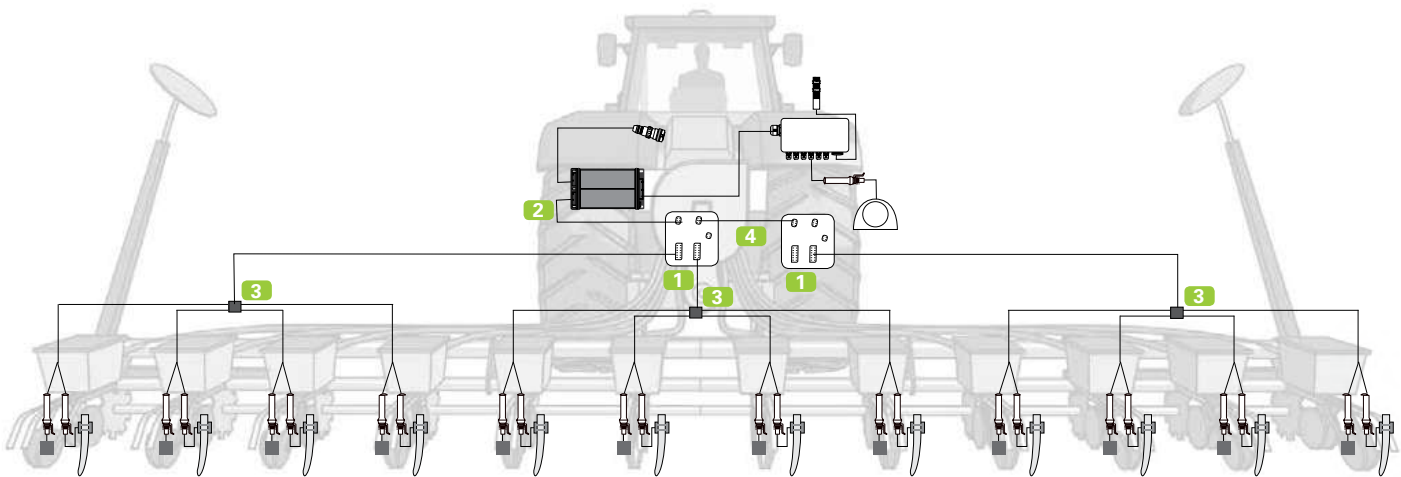


# ISOBUS PLANTER-Controller with junction box



ISOBUS precision planter		Part no.
1	ECU-MIDI 3.0 precision planter ISOBUS job computer	3028501101
2	Connector cable, ISOBUS job computer, 1 m	3030314301
	Connector cable, ISOBUS job computer, 2.5 m	3030314601
	Connector cable, ISOBUS job computer, 4 m	3030314401
	Connector cable, ISOBUS job computer, 5.5 m	3030314801
	Connector cable, ISOBUS job computer, 6.5 m	3030314001
	Connector cable, ISOBUS job computer, 8.5 m	3030314201
	Connector cable, ISOBUS job computer, 11 m	3030314101
	Connector cable, ISOBUS job computer, 14 m	3030314701
3	Universal junction box for ECU-MIDI 3.0 , 0.6 m cable	30322470
	Universal junction box for ECU-MIDI 3.0 , 1.5 m cable	30322475
	Universal junction box for ECU-MIDI 3.0 , 2 m cable	30322471
	Universal junction box for ECU-MIDI 3.0 , 4 m cable	30322472
	Universal junction box for ECU-MIDI 3.0 , 6 m cable	30322473
4	GPS speed sensor	30258330
5	Work position sensor, 1 m cable, with AMP connector	30303615
6	Rotational speed sensor with AMP connector	30303623
7	Connector cable for sensors, 1.10 m with 3-pin AMP socket to junction box	3030329706
	Connector cable for sensors, 2 m with 3-pin AMP socket to junction box	30303294
	Connector cable for sensors, 4 m with 3-pin AMP socket to junction box	30303296
	Connector cable for sensors, 6 m with 3-pin AMP socket to junction box	30303295
8	Row clutch available in various variants	upon request

# ISOBUS PLANTER-Controller with control module



		Part no.
1	Control module precision planter	30284101
2	Connector cable, monitoring/control module, 0.5 m	30284115
	Connector cable, monitoring/control module, 10 m	30284118
3	Control module cable harness	30284111
4	Connector cable between two MRC modules, 1.2 m	3039704000
5	PLANTirium® sensor, seed tube sensor for seed detection using imaging sensor technology	30293600
6	Row clutch available in various variants	upon request

1



2



3



4



5

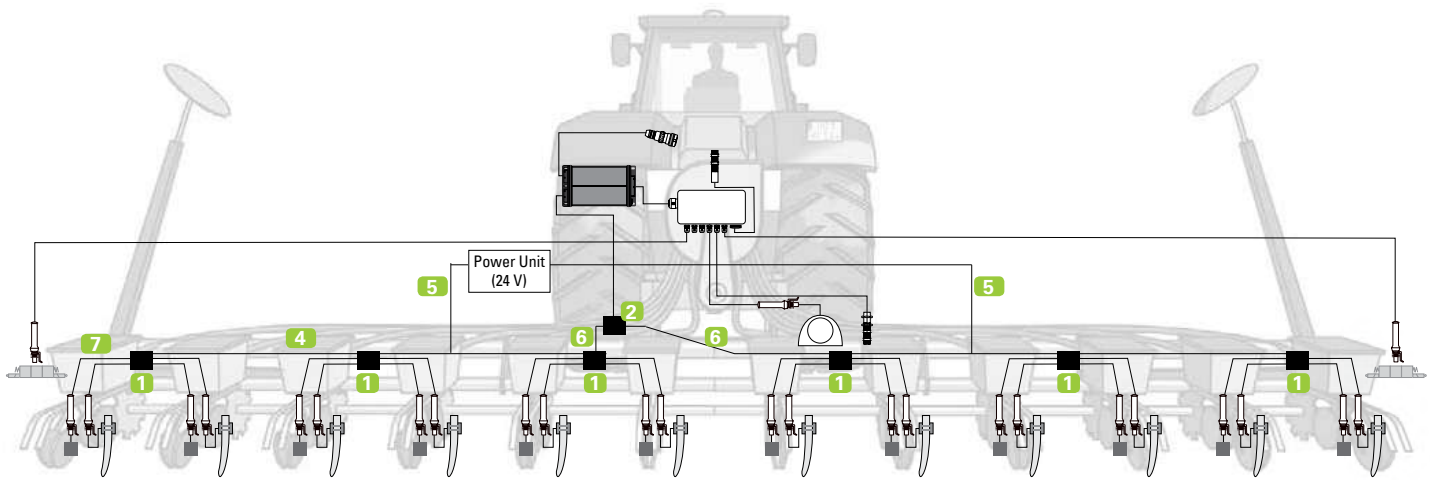


6





# ISOBUS PLANTER-Controller with MRC module



## ISOBUS precision planter

		Part no.
1	MRC module	30397027
2	MRC cable harness with CAN repeater	3028405401
3	Connector cable, main to expansion job computer, 0.3 m	30322355
	Connector cable, main to expansion job computer, 1.5 m	30322359
	Connector cable, main to expansion job computer, 3.2 m	30322358
	Connector cable, main to expansion job computer, 6.5 m	30322357
	Connector cable, main to expansion job computer, 8 m	3032235802
	Connector cable, main to expansion job computer, 10 m	30322356
	Connector cable, main to expansion job computer, 14 m	3032235803
4	Connector cable between two MRC modules, 1.2 m	3039704000
5	Connector cable between 2 MRC modules with external supply input, 1.2 m	3039704001
6	Connector cable between CAN repeater and two MRC modules, with external supply input, 2 m	3039704003
7	Termination plug	3039704002

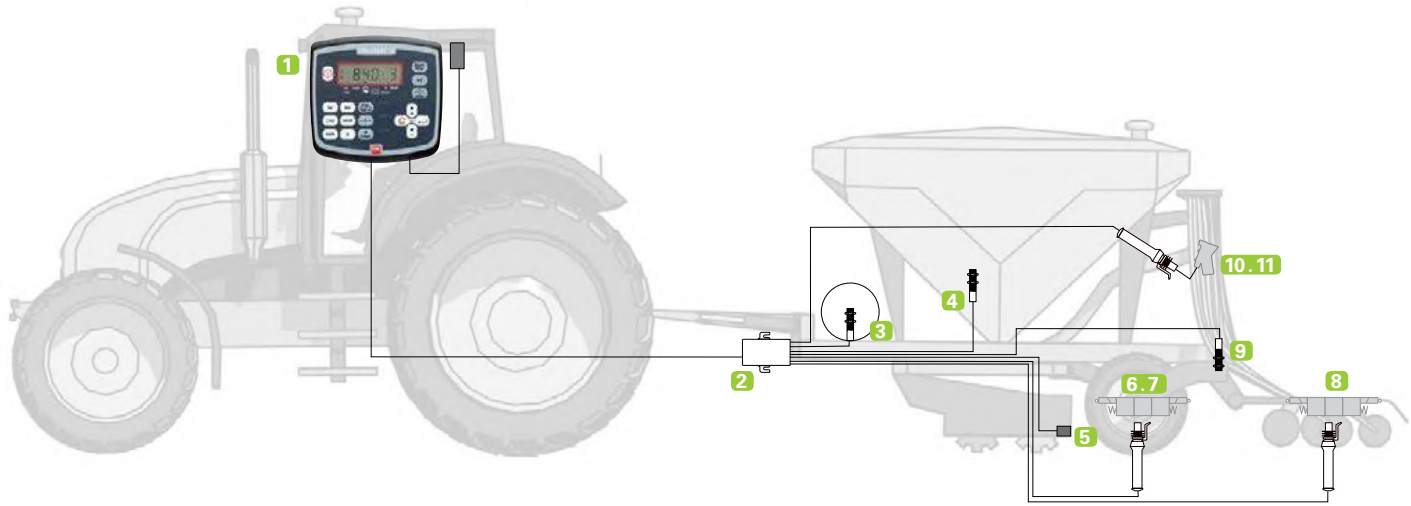


# Function overview

## Seeder

	DRILLMAT III	DRILL-Control	ISOBUS DRILL-Controller
<b>Number of metering units</b>	–	1	1 to 12
<b>Pre-metering</b>	–	on the work screen	on the work screen/ AUX-N joystick
<b>Half width shutoff system</b>	–	–	●
<b>Target rate adjustment</b>	–	●	●
<b>Fan</b>	1 monitoring	1 monitoring	control up to 2 or monitoring
<b>Tramline</b>	Motor	Motor, solenoid (L&R)	Motor, solenoid (L&R)
<b>Fill level sensor</b>	1	1 to 2	●
<b>Pre-emergence marker</b>	Magnet	Magnet (L&R)	Magnet (L&R)
<b>Blockage monitoring</b>	–	–	Agtron Dickey John
<b>Internal task counter</b>	–	●	●
<b>Product database</b>	–	●	●
<b>Folding</b>	–	–	●
<b>Lifting/Lowering</b>	–	–	●
<b>ISOBUS</b>	–	–	●
<b>ISOBUS-TC</b>	–	via ASD	●
<b>SECTION-Control</b>	–	via ASD	●
<b>MULTI-Control</b>	–	–	●

# DRILLMAT III



## DRILLMAT III

DRILLMAT III		Part no.
1	DRILLMAT – computer with console and battery cable	30283615

## Seeder equipment

2	Cable harness for tramline control motorized flap with sensors, 6.5 m	30283710
	Cable harness for tramline control motorized flap with sensors, 12 m	30283715
	Cable harness for tramline control solenoid flap with sensors, 6.5 m	30283711

### Scope of delivery:

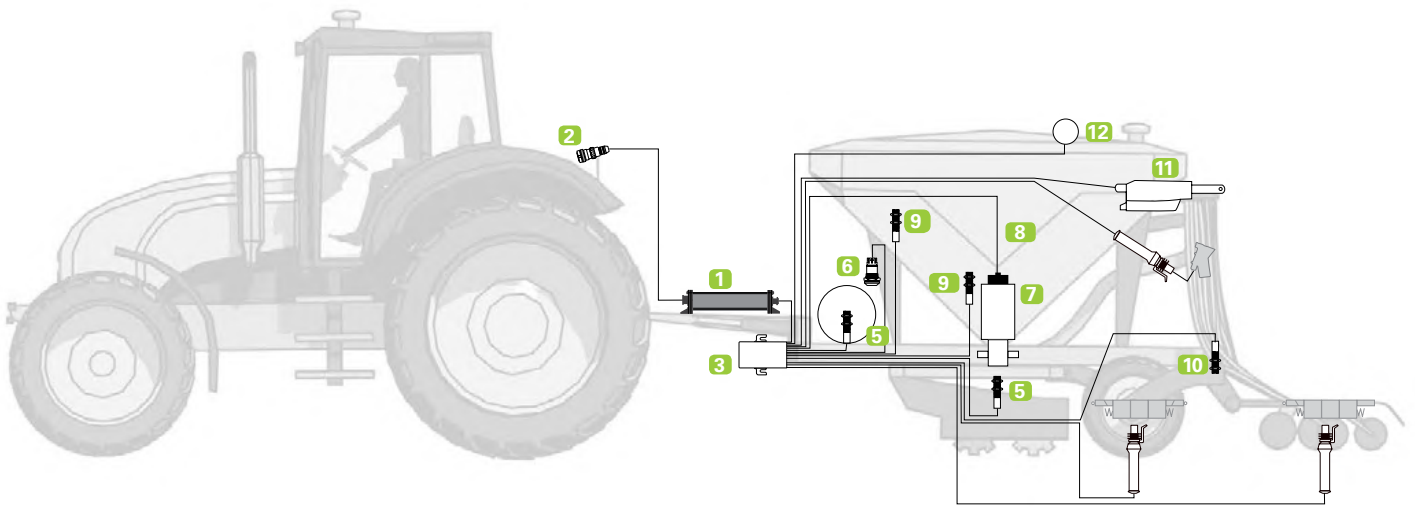
- Bout marker output (6, 7)
- Level sensor (4)
- Wheel sensor (5)
- Metering shaft speed sensor (9)
- Fan speed sensor (3)

### Outputs for:

- Pre-emergence marker (8)
- Left tramline valve (10)
- Right tramline valve (11)



# ISOBUS DRILL-Controller



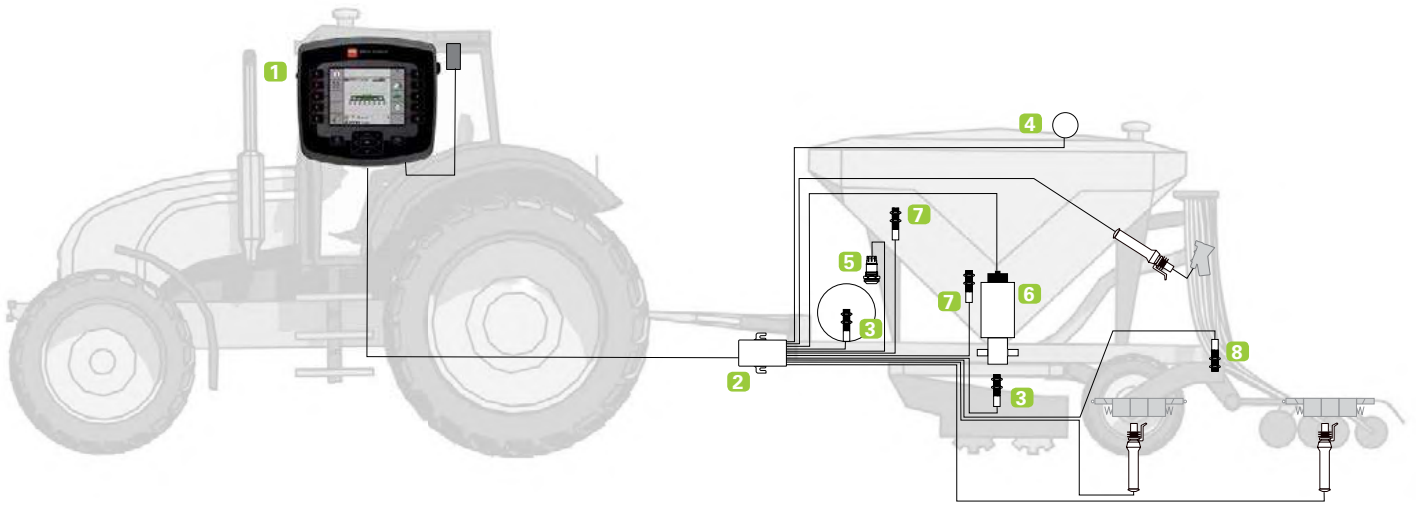


ISOBUS seeder		Part no.
1	ECU-MIDI 3.0 seeder ISOBUS job computer	3028501101
2	Connector cable, ISOBUS job computer, 1 m	3030314301
	Connector cable, ISOBUS job computer, 2.5 m	3030314601
	Connector cable, ISOBUS job computer, 4 m	3030314401
	Connector cable, ISOBUS job computer, 5.5 m	3030314801
	Connector cable, ISOBUS job computer, 6.5 m	3030314001
	Connector cable, ISOBUS job computer, 8.5 m	3030314201
	Connector cable, ISOBUS job computer, 11 m	3030314101
	Connector cable, ISOBUS job computer, 14 m	3030314701
3	Cable harness ISOBUS seeder with 2 metering drives	30285031
4	Universal junction box for ECU-MIDI 3.0 , 0.6 m cable	30322470
	Universal junction box for ECU-MIDI 3.0 , 1.5 m cable	30322475
	Universal junction box for ECU-MIDI 3.0 , 2 m cable	30322471
	Universal junction box for ECU-MIDI 3.0 , 4 m cable	30322472
	Universal junction box for ECU-MIDI 3.0 , 6 m cable	30322473
5	Rotational speed sensor with AMP connector	30303623
6	Calibration button with AMP connector	30285080
7	Electrical metering drive	30285051
8	Connector cable for electrical metering drive to junction box, 2 m	30285055
9	Level sensor , 1 m cable, with AMP connector	30303650
10	Work position sensor , 1 m cable, with AMP connector	30303615
11	Half-width motor	30285070
12	GPS speed sensor	30258330
13	Connector cable for Agtron blockage monitoring, 3.2 m	30285046
14	Connector cable for sensors, 4 m with 3-pin AMP socket to junction box	30303296

### Accessories

15	Connector cable, main to expansion job computer, 0.3 m	30322355
	Connector cable, main to expansion job computer, 1.5 m	30322359
	Connector cable, main to expansion job computer, 3.2 m	30322358
	Connector cable, main to expansion job computer, 6.5 m	30322357
	Connector cable, main to expansion job computer, 8 m	3032235802
	Connector cable, main to expansion job computer, 10 m	30322356
	Connector cable, main to expansion job computer, 14 m	3032235803

# DRILL-Control



## DRILL-Control

DRILL-Control		Part no.
1	DRILL-Control	30283620

## DRILL-Control equipment

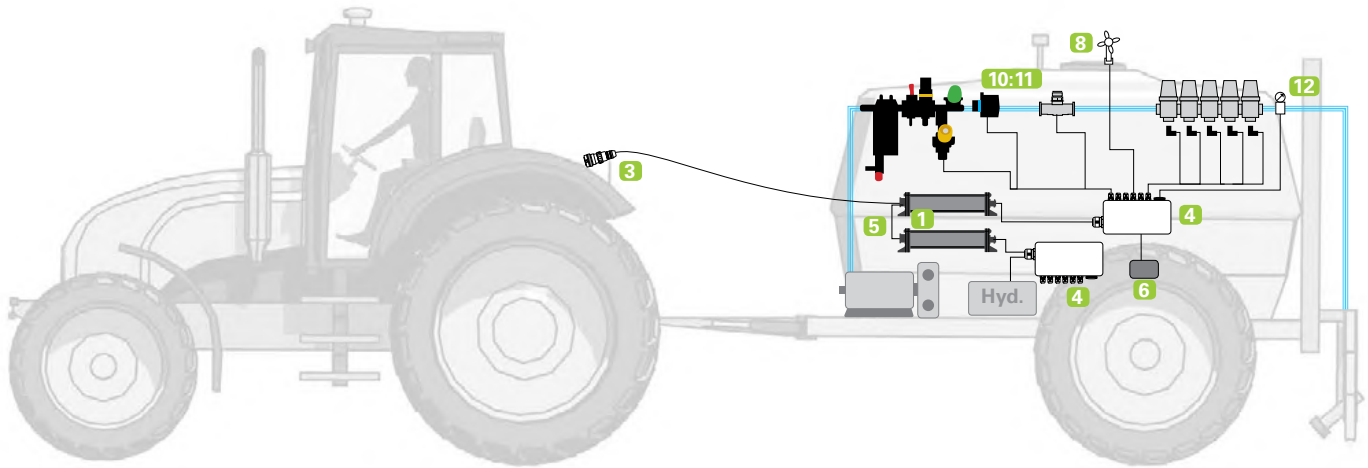
2	Cable harness, DRILL-Control	30283625
3	Revolution sensor with AMP connector	30303623
4	GPS speed sensor	30258330
5	Calibration button with AMP connector	30285080
6	Electrical metering drive	30285051
7	Level sensor , 1 m cable, with AMP connector	30303650
8	Work position sensor, 1 m cable, with AMP connector	30303615



# Funktionsübersicht Crop protection

	SPRAYDOS short	SPRAYDOS long	ISOBUS SPRAY-ER-Controller	ISOBUS SPRAY-ER-Controller Orchard / Vineyard	ISOBUS HOE-ING-Controller
Application rate monitoring	●	●	●	●	-
Application rate regulation	●	●	●	●	-
ISOBUS system	-	-	●	●	●
No. of sections	9	9	up to 18 (with 2 job computers)	up to 18 (with 2 job computers)	up to 49 (with 3 job computers)
Hydraulic functions	4	13	up to 20 hydraulic functions per job computer	up to 20 hydraulic functions per job computer	up to 20 hydraulic functions per job computer
Trip and total counter	●	●	●	●	●
Task management (ISOBUS-TC)	via SC-BOX	via SC-BOX	●	●	●
Working with prescription maps	via SC-BOX	via SC-BOX	●	●	●
Fill level sensor(TANK-Control)	●	●	●	●	-
Filling, flushing and stirrer control (TANK-Control III)	-	-	●	-	-
Drawbar and stub axle steering(TRAIL-Control)	-	-	●	-	●
Boom height control system(DISTANCE-Control)	-	-	●	-	-
Boom height control system(DISTANCE-Control II)	-	-	●	-	-
Section control (SECTION-Control)	via SC-BOX	via SC-BOX	●	●	●
Single nozzle switching (SECTION-Control TOP)	-	-	up to 512	-	●
Automatic nozzle selection(VARIO-Select)	-	-	●	-	-
Turn Compensation (CURVE-Control)	-	-	●	-	-
Droplet size control (AIRTEC)	-	-	●	-	-
Multi-Product Control (MULTI-Product)	-	-	●	-	-
Multi-Device Control (MULTI-Device)	-	-	●	-	●
Multi-Boom Control (MULTI-Boom)	-	-	●	-	-
Application Rate Control per Section (MULTI RATE-Control)	-	-	●	-	-
Multi-Boom Section Control (MULTI SECTION-Control)	-	-	●	-	-
External keypads	-	-	up to 3x 8 keys	-	●
Joystick	via SC-BOX	via SC-BOX	●	●	●
S-Box	via SC-BOX	via SC-BOX	●	●	●
Weather station	via SC-BOX	via SC-BOX	●	●	●
Compatibility with agronomic sensors	via SC-BOX	via SC-BOX	●	-	-
Configuration	not necessary	not necessary	via PC	-	●

# ISOBUS SPRAYER-Controller





ISOBUS job computer with expansion job computer for sprayers		Part no.
1	ISOBUS Sprayer Controller MIDI 3.0	3032245501
	ECU-MIDI 3.0 sprayer ISOBUS job computer add-in job computer	3032245601
2	ISOBUS control module, sprayer	30284102
VARIO-Select activation for automatic nozzle selection		30303080
AIRTEC activation for droplet size control		30303075
AIRTEC II activation for droplet size control		30303078
3	Connector cable, ISOBUS job computer, 1 m	3030314301
	Connector cable, ISOBUS job computer, 2.5 m	3030314601
	Connector cable, ISOBUS job computer, 4 m	3030314401
	Connector cable, ISOBUS job computer, 5.5 m	3030314801
	Connector cable, ISOBUS job computer, 6.5 m	3030314001
	Connector cable, ISOBUS job computer, 8.5 m	3030314201
	Connector cable, ISOBUS job computer, 11 m	3030314101
	Connector cable, ISOBUS job computer, 14 m	3030314701
4	Universal junction box for ECU-MIDI 3.0 , 0.6 m cable	30322470
	Universal junction box for ECU-MIDI 3.0 , 1.5 m cable	30322475
	Universal junction box for ECU-MIDI 3.0 , 2 m cable	30322471
	Universal junction box for ECU-MIDI 3.0 , 4 m cable	30322472
	Universal junction box for ECU-MIDI 3.0 , 6 m cable	30322473

#### Accessories

5	Connector cable, main to expansion job computer, 0.3 m	30322355
	Connector cable, main to expansion job computer, 1.5 m	30322359
	Connector cable, main to expansion job computer, 3.2 m	30322358
	Connector cable, main to expansion job computer, 6.5 m	30322357
	Connector cable, main to expansion job computer, 10 m	30322356
	Connector cable, main to expansion job computer, 14 m	3032235803
6	Sensor X (speed), trailed sprayer, 1 m cable with AMP connector, 12 magnets	30303621
7	GPS speed sensor	30258330
8	Anemometer for sprayers, 3 m cable with 3-pin AMP connector	30303705
9	2 m connector cable for sensors, with 3-pin AMP socket to junction box	30303294

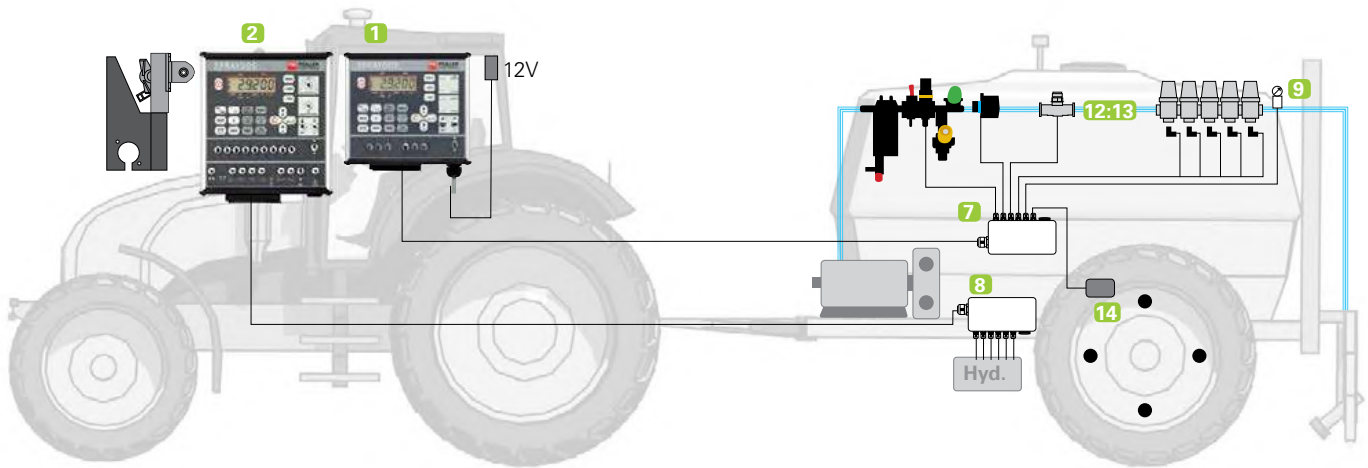
#### Flow meter

10	Flow meter Bürkert, Inline DN 20,10 bar, 7 m cable without connector, 8 - 140 l/min	30244510
	Inline flow meter (Bürkert) DN 25, 10 bar , 7 m cable without connector, 14 - 220 l/min	30244710
11	Flow meter Polmac 1" Turbo-Flow 30 bar, 7 m cable without connector, 6 - 140 l/min	30244910

#### Pressure sensor

12	Pressure sensor 0– 16 bar, 1 m cable with AMP connector	30303591	
13	8 m connector cable for sensors, with 3-pin AMP socket to junction box	30303297	
14	Accessories bag pressure	NET	31243210

# SPRAYDOS short/long



## SPRAYDOS short

		Part no.
1	SPRAYDOS computer, 5 sections, without hydraulics, with bracket	30221001
	SPRAYDOS computer, 7 sections, without hydraulics, with bracket	30221011
	SPRAYDOS computer, 9 sections, without hydraulics, with bracket	30221021

## SPRAYDOS long

2	SPRAYDOS long, 5 sections, with expandable hydraulic functions	30221151
	SPRAYDOS long, 7 sections, with expandable hydraulic functions	30221161
	SPRAYDOS long, 9 sections, with expandable hydraulic functions	30221171

## Basic vehicle harness

Any one of these basic vehicle harnesses is necessary for equipping a second tractor

3	Tractor basic vehicle harness, for tractors without signal socket, mounting bracket for computer, sensor X (wheel sensor) /drive shaft with 6 m cable, battery connector cable and installation material	302724
4	Tractor basic vehicle harness, for tractors with signal socket in accordance with DIN 9684.1 and ISO 11786 (7-pin), KHD, UNIMOG (Unicom), FENDT, John Deere, Case-Steyr	302729
5	Trailed sprayer basic vehicle harness, mounting bracket for computer, sensor X (trailed sprayer) with 10 m cable without connector, battery connector cable and installation material	30273305
6	Basic vehicle harness without sensor, mounting bracket for computer and battery connector cable	30273505

## Junction box

7	Junction box for SPRAYDOS, 6.5 m cable with 39-pin male connector for manifold and hydraulic system	30221070
	Junction box for SPRAYDOS, 10 m cable with 39-pin male connector for manifold and hydraulic system	30221075
8	Junction box for SPRAYDOS, 6.5 m cable with 30-pin male connector for hydraulic system	30221080
	Junction box for SPRAYDOS, 10 m cable with 30-pin male connector for hydraulic system	30221081

## Pressure sensor

9	Pressure sensor 0 – 16 bar, 1 m cable with AMP connector	30303591	
10	8 m connector cable for sensors, with 3-pin AMP socket to junction box	30303297	
11	Accessories bag pressure	NET	31243210

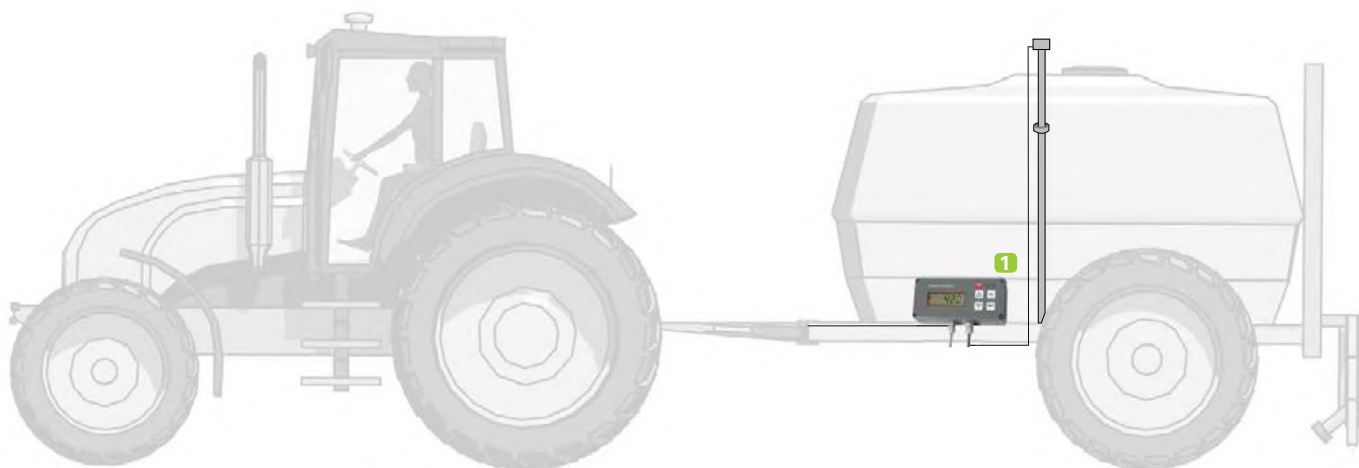
## Flow meter

12	Flow meter Bürkert, Inline DN 20, 10 bar, 7 m cable without connector, 8 - 140 l/min	30244510
	Flow meter Bürkert, Inline DN 25, 10 bar, 7 m cable without connector, 14 - 220 l/min	30244710
13	Polmac 1" Turbo-Flow flow meter, 30 bar, 7 m cable without connector, 6 - 140 l/min	30244910

## Accessories

14	Sensor X for wheel/drive shaft, 6 m cable with 3-pin connector	312083
15	Sensor X for trailed sprayer (12 magnets) for slip-free speed tracking	312583
16	GPS speed sensor	30258330
17	Extension cable for GPS speed sensor 11 m with AMP socket and 3-pin connector	30303290
Motorized slope compensation with momentary switch max. 15 Ampere		30221030
Hydraulic slope compensation with momentary switch max. 4 Ampere		30221185
Hydraulic function with momentary switch max. 4 Ampere, max. 4 functions possible		30221180

# TANK-Control



Optional for all sprayer control systems

## TANK Control

The first number in the article text is the maximum measurement value, while the second number is the overall length of the sensor.

		Part no.
1	TANK-Control with level sensor 1200/1380	30252003
	TANK-Control with level sensor 1440/1620	30252006
	TANK-Control with level sensor 1600/1780	30252011
	TANK-Control with level sensor 1840/2020	30252021
	TANK-Control with level sensor 2080/2260	30252045
	TANK-Control with level sensor 2400/2580	30252051

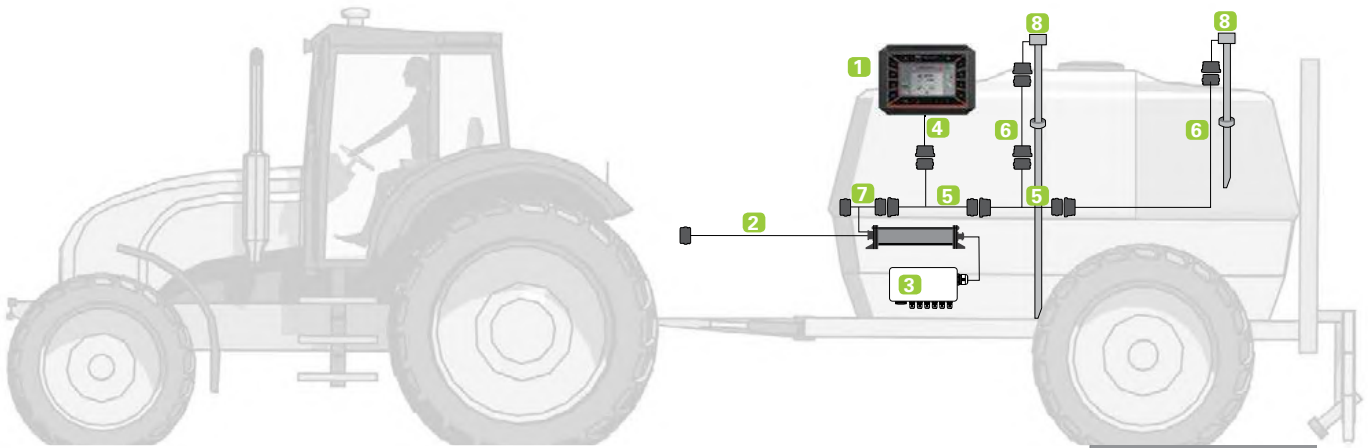
## Accessories

2	Extension cable for sensors, 6 m with AMP connector to junction box, is required for connection to junction box	30303295
3	Operating device fill stop for job computer, with 6-pin AMP connector for ball valve* <i>* The ball valve can be sourced from an agricultural technology accessories shop.</i>	30252820





# TANK-Control III



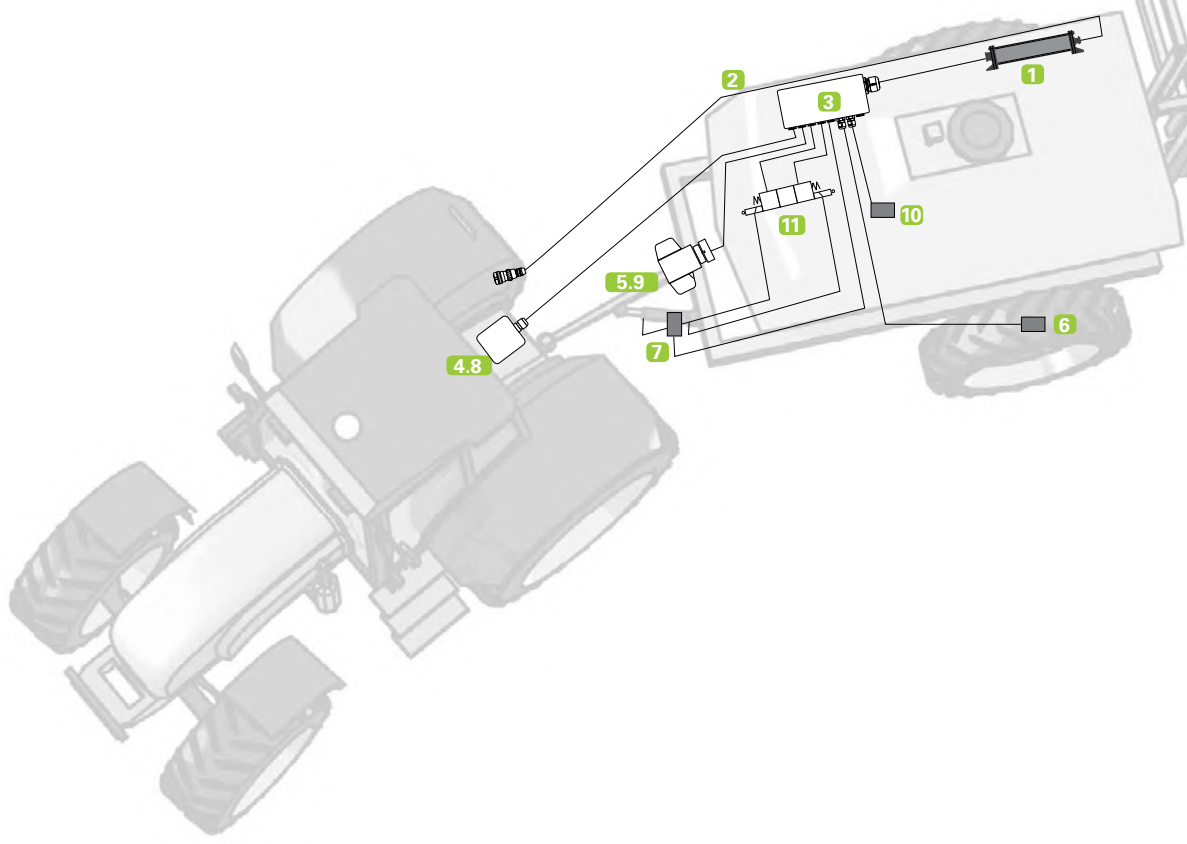
TANK-Control III

Part no.

1	TANK-Control III	30252080
2	Connector cable, main to expansion job computer, 0.3 m	30322355
	Connector cable, main to expansion job computer, 1.5 m	30322359
	Connector cable, main to expansion job computer, 3.2 m	30322358
	Connector cable, main to expansion job computer, 6.5 m	30322357
	Connector cable, main to expansion job computer, 10 m	30322356
3	Universal junction box for ECU-MIDI 3.0 , 0.6 m cable	30322470
	Universal junction box for ECU-MIDI 3.0 , 1.5 m cable	30322475
	Universal junction box for ECU-MIDI 3.0 , 2 m cable	30322471
	Universal junction box for ECU-MIDI 3.0 , 4 m cable	30322472
	Universal junction box for ECU-MIDI 3.0 , 6 m cable	30322473
4	FlexWire connector cable for TANK-Control III	3025208020
5	FlexWire Y cable with 3x 6-pin AMP connector	3025208010
6	FlexWire extension cable 3.5 m with 6-pin AMP connector	3025208035
	FlexWire extension cable 7.5m with 6-pin AMP connector	3025208036
7	FlexWire Y cable on MIDI 3.0	3025208030
8	TANK-Control III with level sensor 800/980	30252061
	TANK-Control III with level sensor 1440/1620	30252062
	TANK-Control III with level sensor 1600/1780	30252064
	TANK-Control III with level sensor 1840/2020	30252066
	TANK-Control III with level sensor 2080/2260	30252068



# ISOBUS TRAIL-Control



<p>1</p> 	<p>2</p> 	<p>3</p> 	<p>4.8</p> 
<p>5.9</p> 	<p>6</p> 	<p>7</p> 	<p>10</p> 
<p>11</p> 	<p>12</p> 	<p>13</p> 	

ISOBUS TRAIL-Control stand-alone solution		Part no.
1	ISOBUS TRAIL-Control stand-alone job computer	3032245701
2	Connector cable, ISOBUS job computer, 1 m	3030314301
	Connector cable, ISOBUS job computer, 2.5 m	3030314601
	Connector cable, ISOBUS job computer, 4 m	3030314401
	Connector cable, ISOBUS job computer, 5.5 m	3030314801
	Connector cable, ISOBUS job computer, 6.5 m	3030314001
	Connector cable, ISOBUS job computer, 8.5 m	3030314201
	Connector cable, ISOBUS job computer, 11 m	3030314101
	Connector cable, ISOBUS job computer, 14 m	3030314701
3	Universal junction box for ECU-MIDI 3.0 , 0.6 m cable	30322470
	Universal junction box for ECU-MIDI 3.0 , 1.5 m cable	30322475
	Universal junction box for ECU-MIDI 3.0 , 2 m cable	30322471
	Universal junction box for ECU-MIDI 3.0 , 4 m cable	30322472
	Universal junction box for ECU-MIDI 3.0 , 6 m cable	30322473
4	Gyroscope with 2x bracket, with AMP connector	30303685
5	Angle sensor 30° with AMP connector, without cable, with boom	30303672
	Angle sensor 60° with AMP connector, without cable, with boom	30303673
	Angle sensor 120° with AMP connector, without cable, with boom	30303675
6	Sensor X, trailed sprayer, 6 m cable without connector with 12 magnets	312583
7	Sensor Y, 1 m cable with AMP connector without installation material	31302506

#### TRAIL-Control as an option for job computer MIDI 3.0

8	Gyroscope with 2x bracket, with AMP connector	30303015
9	Angle sensor with AMP connector, without cable, with boom	

#### Optional

10	Electronic slope sensor with 1 m cable and AMP connector	30303690
11	Proportional valve	302923

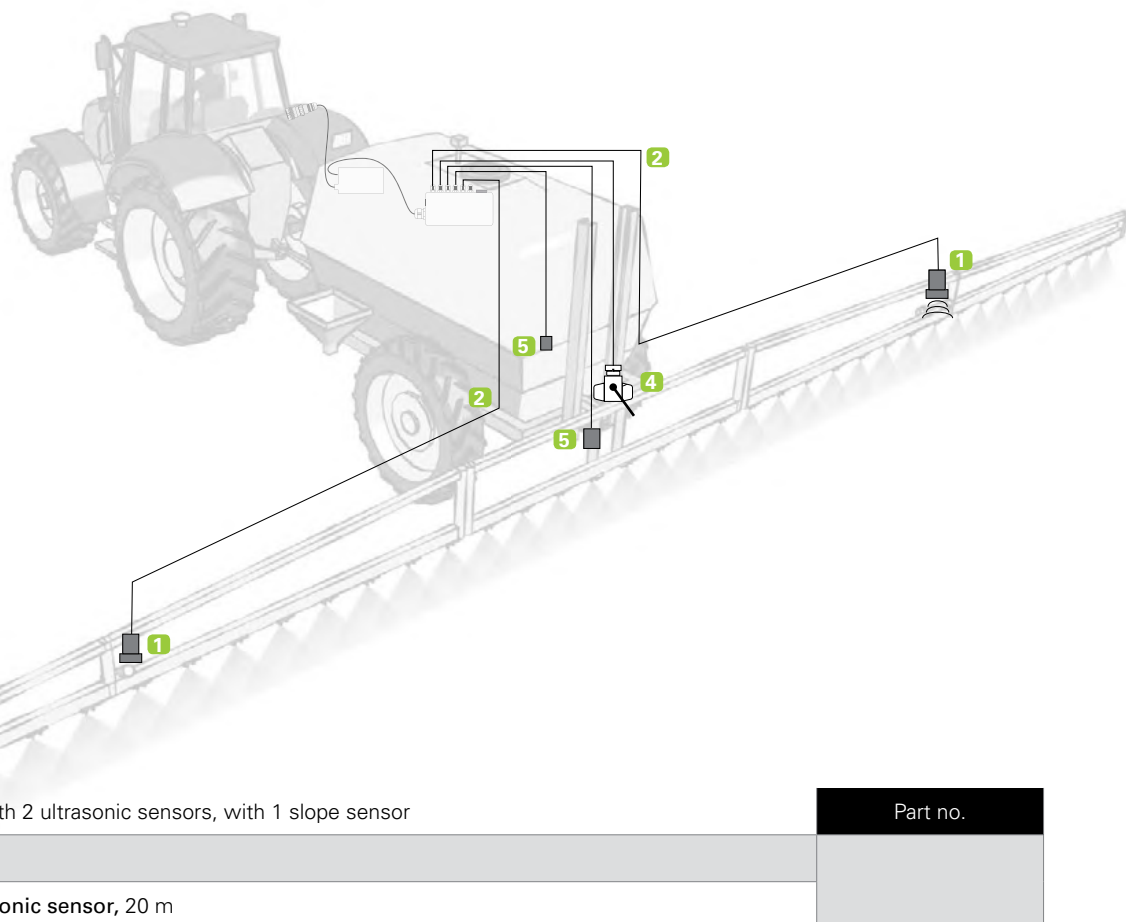
#### Optional: To connect to SPRAYER-Controller

12	Connector cable, main to expansion job computer, 0.3 m	30322355
	Connector cable, main to expansion job computer, 1.5 m	30322359
	Connector cable, main to expansion job computer, 3.2 m	30322358
	Connector cable, main to expansion job computer, 6.5 m	30322357
	Connector cable, main to expansion job computer, 10 m	30322356

#### A connector cable is required for sensors and gyroscope

13	Connector cable for sensors, 2 m with 3-pin AMP socket to junction box	30303294
	Connector cable for sensors, 4 m with 3-pin AMP socket to junction box	30303296
	Connector cable for sensors, 6 m with 3-pin AMP socket to junction box	30303295
	Connector cable for sensors, 8 m with 3-pin AMP socket to junction box	30303297

# ISOBUS DISTANCE-Control



ISOBUS DISTANCE-Control with 2 ultrasonic sensors, with 1 slope sensor

Part no.

1	2 ultrasonic sensors
2	Connector cable, ultrasonic sensor, 20 m
3	Accessory bag for DISTANCE-Control
4	Angle sensor with AMP connector, without cable, with boom
5	Electronic slope sensor with 1 m cable and AMP connector

30303058

ISOBUS DISTANCE-Control with 2 ultrasonic sensors, with 2 slope sensors

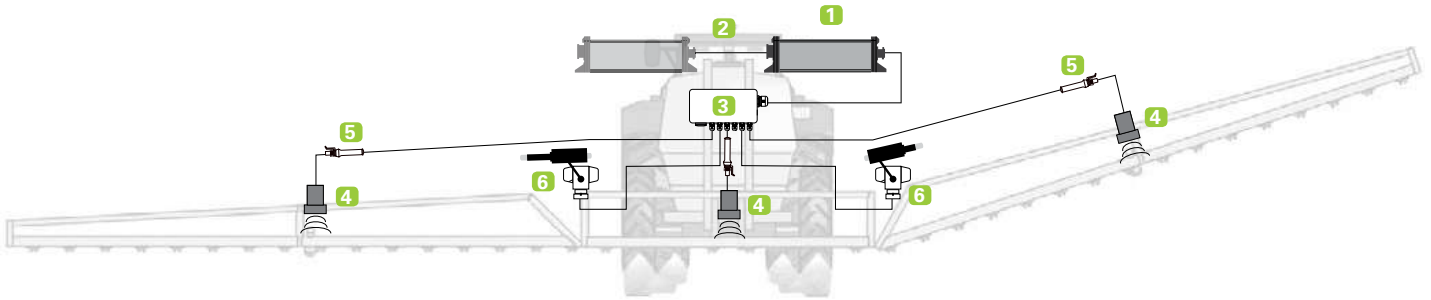
Part no.

1	2 ultrasonic sensors
2	Connector cable, ultrasonic sensor, 20 m
3	Accessories bag for boom control
4	Angle sensor with AMP connector, without cable, with boom
5	2 electronic slope sensors with 1 m cable and AMP connector

30303059



# ISOBUS DISTANCE-Control II



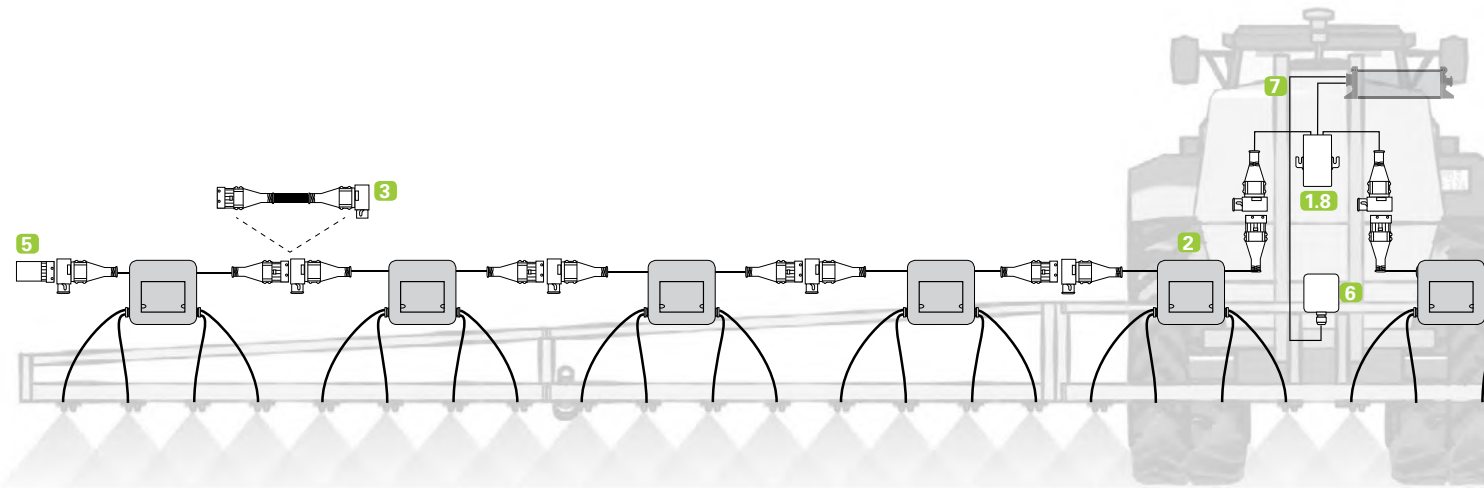
## ISOBUS DISTANCE-Control II

ISOBUS DISTANCE-Control II		Part no.
1	DISTANCE-Control II job computer	3030316501
2	Connector cable, main to expansion job computer, 0.3 m	30322355
	Connector cable, main to expansion job computer, 1.5 m	30322359
	Connector cable, main to expansion job computer, 3.2 m	30322358
	Connector cable, main to expansion job computer, 6.5 m	30322357
	Connector cable, main to expansion job computer, 10 m	30322356
3	Junction box for DISTANCE-Control II, 4 m	30303167
	Junction box for DISTANCE-Control II, 12.50 m	30303166
4	Ultrasonic sensor for boom control	30217518
5	Connector cable, ultrasonic sensor, 20 m	31303050
6	Angle sensor 30° with AMP connector, without cable, with boom	30303672
	Angle sensor 60° with AMP connector, without cable, with boom	30303673
	Angle sensor 120° with AMP connector, without cable, with boom	30303675
7	Connector cable for sensors, 2 m with 3-pin AMP socket to junction box	30303294
	Connector cable for sensors, 4 m with 3-pin AMP socket to junction box	30303296
	Connector cable for sensors, 6 m with 3-pin AMP socket to junction box	30303295
	Connector cable for sensors, 8 m with 3-pin AMP socket to junction box	30303297





# SECTION-Control TOP



## Job computer EDS

		Part no.
1	EDS communication module	3030308530

## EDS equipment

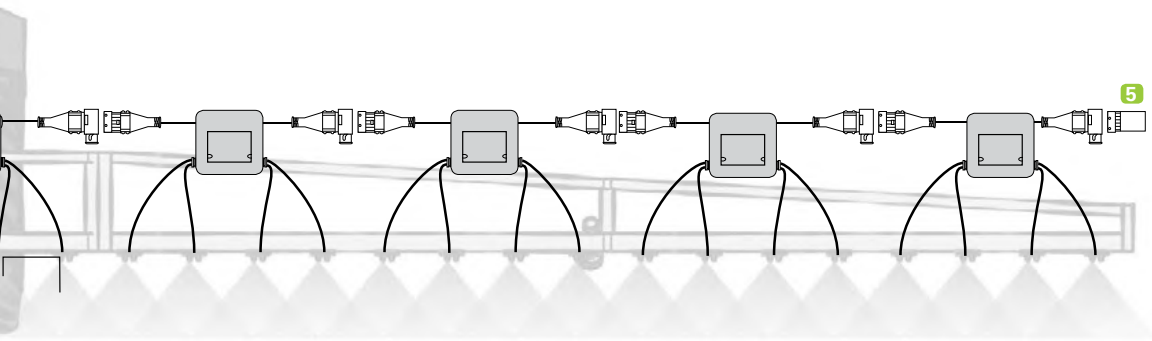
2	EDS module, quadruple , 6 mm air Single, for single nozzle mount, cable length 2x 1.1 m	3030308303
	EDS module, quadruple , 6 mm air Twin, for twin nozzle mount, cable length 2x 0.6 m	3030308304
	EDS module, quadruple , 6 mm air Quattro, for quadruple nozzle mount, cable length 2x 0.35 m	3030308305
3	Extension cable, 0.85 m , with 10-pin socket / 10-pin connector	3030308320
	Extension cable, 1.35 m , with 10-pin socket / 10-pin connector	3030308321
	Extension cable, 2.35 m , with 10-pin socket / 10-pin connector	3030308322
4	Quick exhaust valve for EDS module, 6 mm, 100-piece packaging unit	NET 3030308335
5	EDS-CAN termination plug, 120 Ohm	3130308311

## Optional for gyroscope

6	Gyroscope with 2x bracket, with AMP connector	30303685
VARIO-Select activation for automatic nozzle selection		30303080

## A connector cable is required for sensors and gyroscope

7	Connector cable for sensors, 2 m with 3-pin AMP socket to junction box	30303294
	Connector cable for sensors, 4 m with 3-pin AMP socket to junction box	30303296
	Connector cable for sensors, 6 m with 3-pin AMP socket to junction box	30303295
	Connector cable for sensors, 8 m with 3-pin AMP socket to junction box	30303297



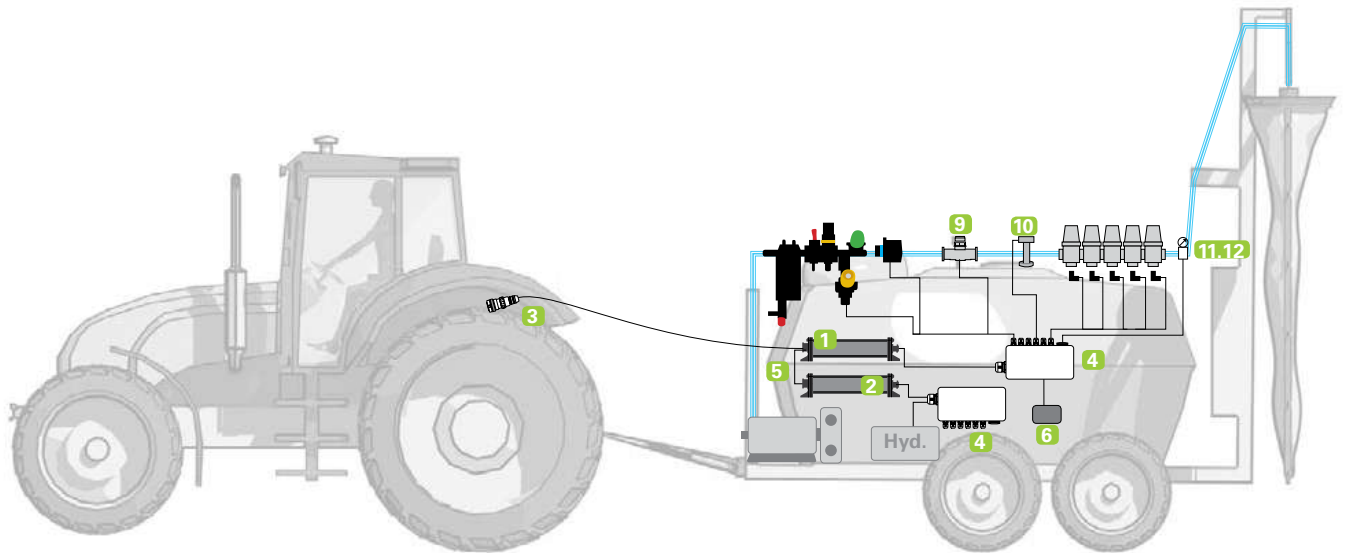
Optional for MIDI 3.0

EDS electric job computer

EDS electric job computer		Part no.
8	Communication module for HYPRO-EDS	3030308533
	Communication module for LECHLER ESV	3030308532



# ISOBUS SPRAYER-Controller Orchard/Vineyard



1, 2



3



4



5



6



7



8



9



10



11



12



ISOBUS job computer with expansion job computer for orchard/vineyard sprayers		Part no.
1	ISOBUS job computer MIDI 3.0 orchard/vineyard	3030383000
2	ISOBUS job computer MIDI 3.0 orchard/vineyard expansion job computer	3030383001
3	Connector cable, ISOBUS job computer, 1 m	3030314301
	Connector cable, ISOBUS job computer, 2.5 m	3030314601
	Connector cable, ISOBUS job computer, 4 m	3030314401
	Connector cable, ISOBUS job computer, 5.5 m	3030314801
	Connector cable, ISOBUS job computer, 6.5 m	3030314001
	Connector cable, ISOBUS job computer, 8.5 m	3030314201
	Connector cable, ISOBUS job computer, 11 m	3030314101
	Connector cable, ISOBUS job computer, 14 m	3030314701
4	Universal junction box for ECU-MIDI 3.0 , 0.6 m cable	30322470
	Universal junction box for ECU-MIDI 3.0 , 1.5 m cable	30322475
	Universal junction box for ECU-MIDI 3.0 , 2 m cable	30322471
	Universal junction box for ECU-MIDI 3.0 , 4 m cable	30322472
	Universal junction box for ECU-MIDI 3.0 , 6 m cable	30322473

#### Accessories

5	Connector cable, main to expansion job computer, 0.3 m	30322355
	Connector cable, main to expansion job computer, 1.5 m	30322359
	Connector cable, main to expansion job computer, 3.2 m	30322358
	Connector cable, main to expansion job computer, 6.5 m	30322357
	Connector cable, main to expansion job computer, 10 m	30322356
	Connector cable, main to expansion job computer, 14 m	3032235803
6	Sensor X (speed), trailed sprayer, 1 m cable with AMP connector, 12 magnets	30303621
7	GPS speed sensor	30258330
8	2 m connector cable for sensors, with 3-pin AMP socket to junction box	30303294

#### Flow meter

9	Flow meter Polmac 1" Turbo-Flow 30 bar, 7 m cable without connector, 6 - 140 l/min	30244910
---	--	----------

#### TANK-Control

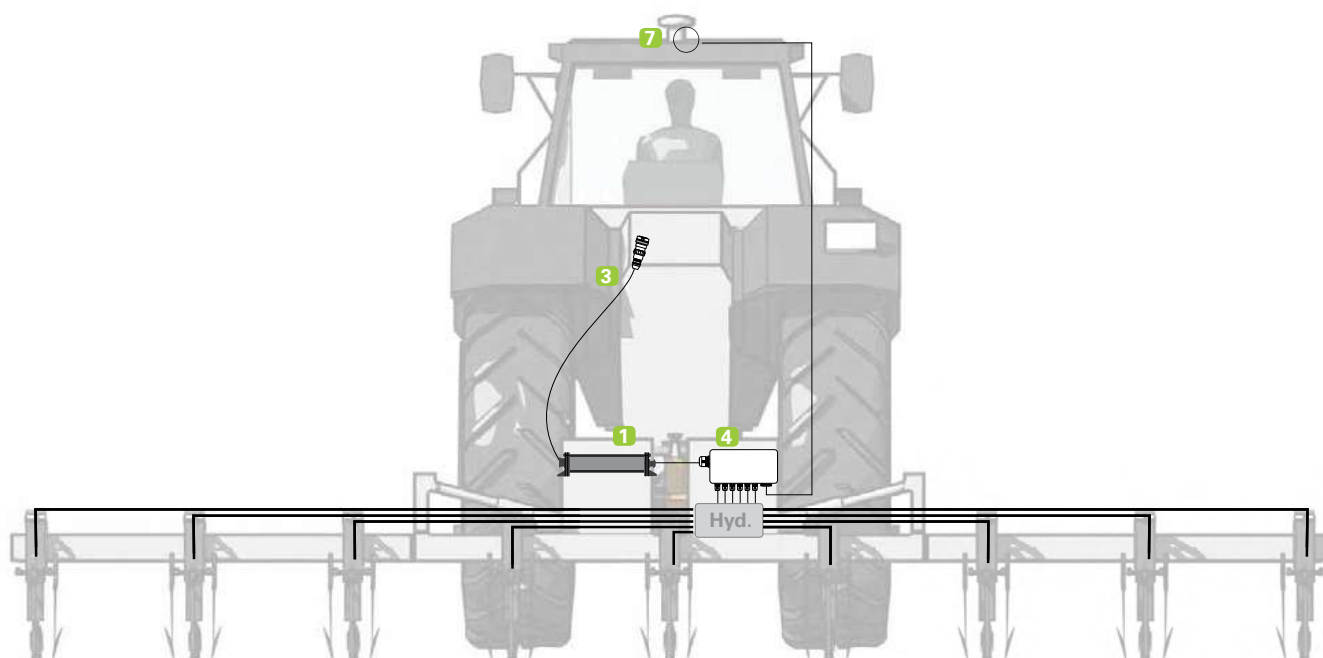
The first number in the article text is the maximum measurement value, while the second number is the overall length of the sensor.

10	TANK-Control with level sensor 1200/1380	30252003
	TANK-Control with level sensor 1440/1620	30252006
	TANK-Control with level sensor 1600/1780	30252011
	TANK-Control with level sensor 1840/2020	30252021
	TANK-Control with level sensor 2080/2260	30252045
	TANK-Control with level sensor 2400/2580	30252051

#### Pressure sensor

11	Pressure sensor 0–16 bar, 1 m cable with AMP connector	30303591
12	Pressure sensor 0–50 bar, 1 m cable with AMP connector	312428

# ISOBUS HOEING-Controller





ISOBUS job computer with expansion job computer for hoeing machines		Part no.
1	ISOBUS job computer MIDI 3.0 hoeing	3032245501
	ISOBUS job computer MIDI 3.0 hoeing with expansion job computer	3032245601
2	Connector cable, ISOBUS job computer, 1 m	3030314301
	Connector cable, ISOBUS job computer, 2.5 m	3030314601
	Connector cable, ISOBUS job computer, 4 m	3030314401
	Connector cable, ISOBUS job computer, 5.5 m	3030314801
	Connector cable, ISOBUS job computer, 6.5 m	3030314001
	Connector cable, ISOBUS job computer, 8.5 m	3030314201
	Connector cable, ISOBUS job computer, 11 m	3030314101
	Connector cable, ISOBUS job computer, 14 m	3030314701
3	Universal junction box for ECU-MIDI 3.0 , 0.6 m cable	30322470
	Universal junction box for ECU-MIDI 3.0 , 1.5 m cable	30322475
	Universal junction box for ECU-MIDI 3.0 , 2 m cable	30322471
	Universal junction box for ECU-MIDI 3.0 , 4 m cable	30322472
	Universal junction box for ECU-MIDI 3.0 , 6 m cable	30322473

#### Accessories

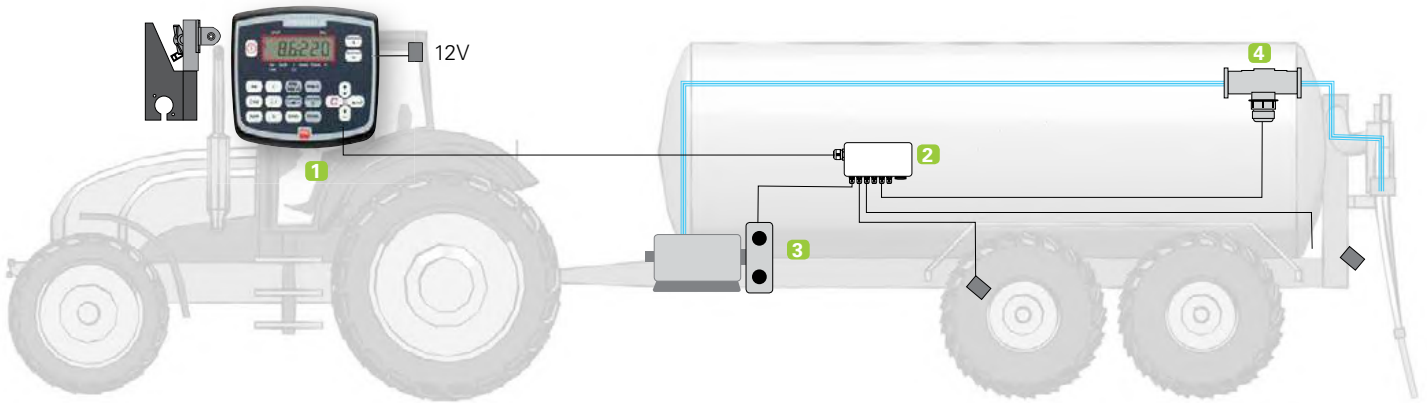
4	Connector cable, main to expansion job computer, 0.3 m	30322355
	Connector cable, main to expansion job computer, 1.5 m	30322359
	Connector cable, main to expansion job computer, 3.2 m	30322358
	Connector cable, main to expansion job computer, 6.5 m	30322357
	Connector cable, main to expansion job computer, 10 m	30322356
	Connector cable, main to expansion job computer, 14 m	3032235803
5	Sensor X (speed), trailed sprayer, 1 m cable with AMP connector, 12 magnets	30303621
6	GPS speed sensor	30258330
7	2 m connector cable for sensors, with 3-pin AMP socket to junction box	30303294

# Function overview

## Fertilization

	SPRAYMAT II	ISOBUS SLURRY-Controller	ISOBUS UNI SPREADER-Controller	ISOBUS SPREADER-Controller
<b>Application rate monitoring</b>	●	●	-	-
<b>Application rate regulation</b>	-	●	●	●
<b>ISOBUS system</b>	-	●	●	●
<b>No. of sections</b>	-	18	1	> 2
<b>Hydraulic functions</b>	-	●	●	●
<b>Trip and total counter</b>	●	●	●	●
<b>Task Management (ISOBUS-TC)</b>	-	●	●	●
<b>Working with prescription maps</b>	-	●	●	●
<b>Section control (SECTION-Control)</b>	-	●	●	●
<b>Multi-Product Control (MULTI-Product)</b>	-	-	-	●
<b>Multi-Device Control (MULTI-Device)</b>	-	-	-	-
<b>Multi-Boom Control (MULTI-Boom)</b>	-	-	-	●
<b>Rate control per section (MULTI RATE-Control)</b>	-	-	-	●
<b>Multi-Boom Section Control (MULTI SECTION-Control)</b>	-	-	-	●
<b>External keypads</b>	-	4x 2 keys	-	-
<b>AUX-N (Joystick)</b>	-	●	-	●
<b>Configuration</b>	via terminal	PC	PC	via terminal

# SPRAYMAT II for slurry tanker



## SPRAYMAT II

		Part no.
1	Spraymat II – computer with bracket	30272010

## Slurry tanker equipment, measurement of the application rate for pump drive

2	SPRAYMAT II equipment for slurry tankers , junction box, sensor X wheel/drive shaft, sensor Y work position and battery cable/mounting bracket	302120
3	NPN-M inductive sensor, 12 x 60 mm LED, 6 m cable, 4 mm switching distance, without connector	312162

## Flow meter

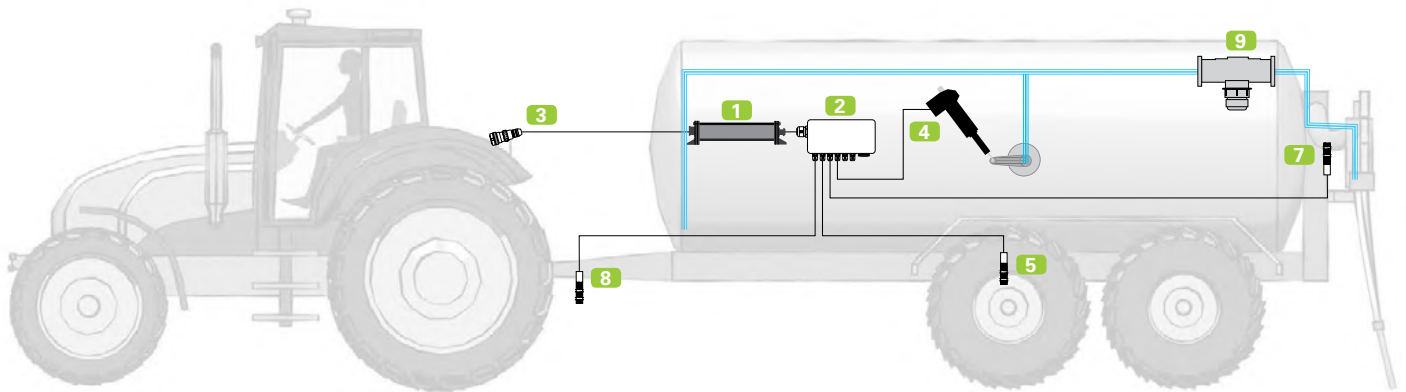
4	Magnetic / inductive flow meter, DN 100 Measurement range 0.3 - 4 cbm/min	30212611
	Magnetic / inductive flow meter, DN 125 Measurement range 0.4 - 6 cbm/min	30212621
	Magnetic / inductive flow meter, DN 150 Measurement range 0.5 - 8 cbm/min	30212631
	Magnetic / inductive flow meter, DN 200 Measurement range 0.8 - 12 cbm/min	30212641

## Tractor / combine harvester harness, additional sensor technology for basic equipment

5	SPRAYMAT II equipment as a hectare counter without RPM monitor, sensor Y work position with 5 m cable	302742
6	SPRAYMAT II equipment as a hectare counter on the tractor with 1 RPM monitoring (PTO shaft), sensor Y for work position with 5 m cable, PTO shaft RPM sensor A with 6 m cable	302743
7	SPRAYMAT II equipment as a hectare counter on the combine harvester with 1 RPM monitor, sensor Y for work position with 5 m cable, RPM sensor A with 12 m cable	302748



# ISOBUS SLURRY-Controller



## ISOBUS SLURRY-Controller

		Part no.
1	ECU-MIDI 3.0 slurry tanker ISOBUS job computer (System can be expanded with up to seven additional job computers)	3032245301
2	Universal junction box for ECU-MIDI 3.0 , 0.6 m cable	30322470
	Universal junction box for ECU-MIDI 3.0 , 1.5 m cable	30322475
	Universal junction box for ECU-MIDI 3.0 , 2 m cable	30322471
	Universal junction box for ECU-MIDI 3.0 , 4 m cable	30322472
3	Universal junction box for ECU-MIDI 3.0 , 6 m cable	30322473
	Connector cable, ISOBUS job computer, 1 m	3030314301
	Connector cable, ISOBUS job computer, 2.5 m	3030314601
	Connector cable, ISOBUS job computer, 4 m	3030314401
	Connector cable, ISOBUS job computer, 5.5 m	3030314801
	Connector cable, ISOBUS job computer, 6.5 m	3030314001
	Connector cable, ISOBUS job computer, 8.5 m	3030314201
	Connector cable, ISOBUS job computer, 11 m	3030314101
Connector cable, ISOBUS job computer, 14 m	3030314701	
4	Actuator (linear actuator)	302130
5	Sensor X for speed, 6 m cable without connector, 12 magnets	312583
6	GPS speed sensor	30258330



7	Sensor Y for work position, 5 m cable without connector, with installation equipment	312586
8	Rotational speed sensor for monitoring the pump speed, 6 m cable without connector, with installation equipment	302580
9	Magnetic / inductive flow meter, DN 100 Measurement range 0.3 - 4 cbm/min	30212611
	Magnetic / inductive flow meter, DN 125 Measurement range 0.4 - 6 cbm/min	30212621
	Magnetic / inductive flow meter, DN 150 Measurement range 0.5 - 8 cbm/min	30212631
	Magnetic / inductive flow meter, DN 200 Measurement range 0.8 - 12 cbm/min	30212641
10	Termination plug	31300580
11	Angle sensor 120° with AMP connector, without cable, with boom	30303675
12	Connector cable for sensors, 1.10 m with 3-pin AMP socket to junction box	3030329706
	Connector cable for sensors, 2 m with 3-pin AMP socket to junction box	30303294
	Connector cable for sensors, 4 m with 3-pin AMP socket to junction box	30303296
	Connector cable for sensors, 6 m with 3-pin AMP socket to junction box	30303295
	Connector cable for sensors, 8 m with 3-pin AMP socket to junction box	30303297
	Connector cable for sensors, 10 m with 3-pin AMP socket to junction box	3030329705
	Connector cable for sensors, 12 m with 3-pin AMP socket to junction box	30303298
	Connector cable for sensors, 20 m with 3-pin AMP socket to junction box	30303289

### Accessories

13	Connector cable, main to expansion job computer, 0.3 m	30322355
	Connector cable, main to expansion job computer, 1.5 m	30322359
	Connector cable, main to expansion job computer, 3.2 m	30322358
	Connector cable, main to expansion job computer, 6.5 m	30322357
	Connector cable, main to expansion job computer, 8 m	3032235802
	Connector cable, main to expansion job computer, 10 m	30322356
	Connector cable, main to expansion job computer, 14 m	3032235803

### Optional

NIR-Sensor activation (manufacturer m-u-t)	30303081
Additional module chassis controlling (manufacturer Mobil Elektronik)	3032245001

9



10



11



12

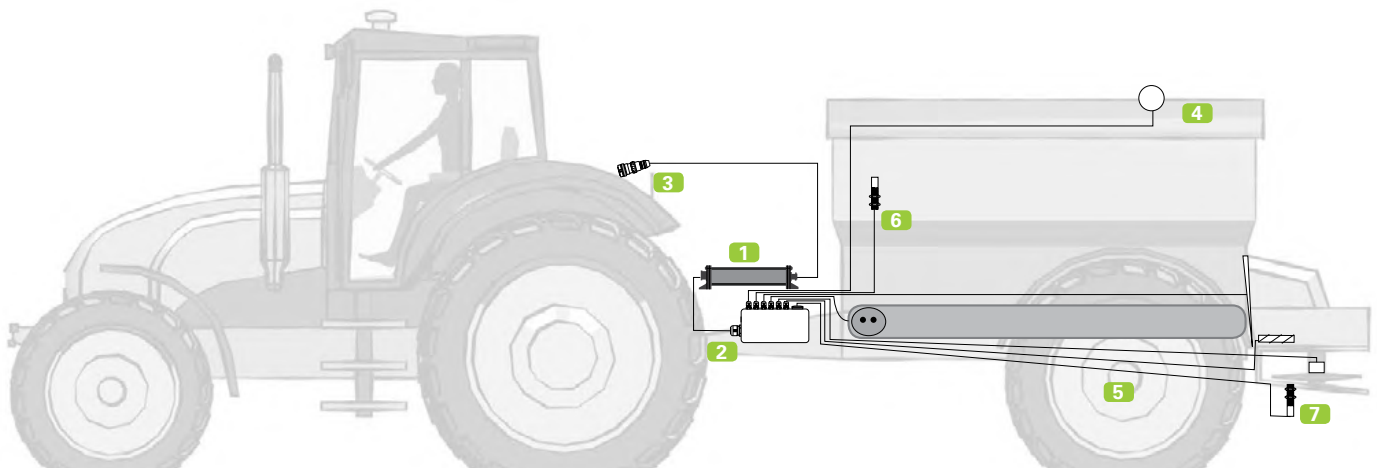


13





# ISOBUS SPREADER-Controller

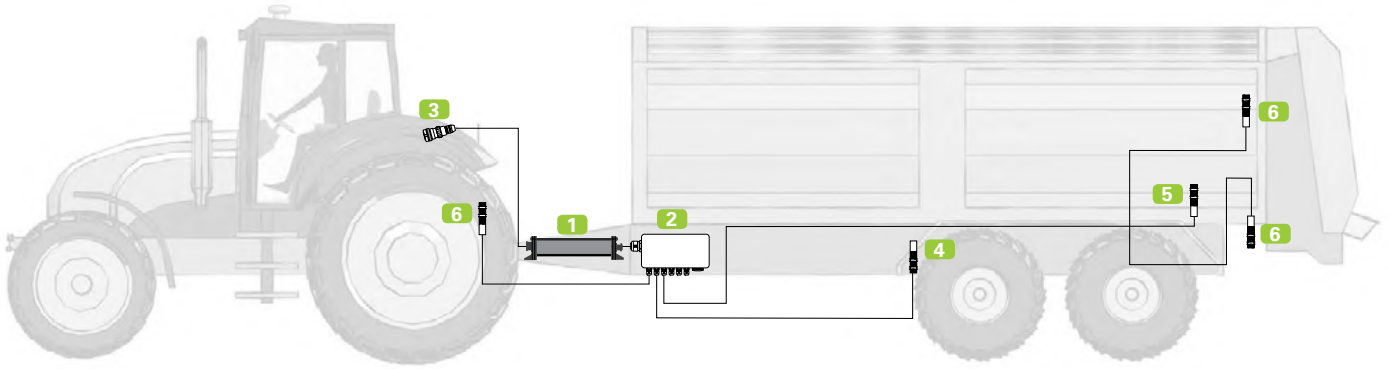


## ISOBUS fertilizer spreaders

		Part no.
1	ECU-MIDI 3.0 fertilizer spreader ISOBUS job computer	3029500601
2	Universal junction box for ECU-MIDI 3.0 , 0.6 m cable	30322470
	Universal junction box for ECU-MIDI 3.0 , 1.5 m cable	30322475
	Universal junction box for ECU-MIDI 3.0 , 2 m cable	30322471
	Universal junction box for ECU-MIDI 3.0 , 4 m cable	30322472
	Universal junction box for ECU-MIDI 3.0 , 6 m cable	30322473
	Universal junction box for ECU-MIDI 3.0 , 9 m cable	30322474
3	Connector cable, ISOBUS job computer, 1 m	3030314301
	Connector cable, ISOBUS job computer, 2.5 m	3030314601
	Connector cable, ISOBUS job computer, 4 m	3030314401
	Connector cable, ISOBUS job computer, 5.5 m	3030314801
	Connector cable, ISOBUS job computer, 6.5 m	3030314001
	Connector cable, ISOBUS job computer, 8.5 m	3030314201
	Connector cable, ISOBUS job computer, 11 m	3030314101
	Connector cable, ISOBUS job computer, 14 m	3030314701
4	GPS speed sensor	30258330
5	Connector cable for sensors, 4 m with 3-pin AMP socket to junction box	30303296
6	Level sensor, 1 m cable, with AMP connector	30303650
7	Inductive sensor, 1 m cable with AMP connector, 8 mm switching distance	30303631



# ISOBUS UNI SPREADER-Controller



## UNI SPREADER-Controller

		Part no.
1	ECU-MIDI 3.0 universal spreader ISOBUS job computer (System can be expanded with additional job computers)	3032245401
2	Universal junction box for ECU-MIDI 3.0 , 0.6 m cable	30322470
3	Connector cable, ISOBUS job computer, 1 m	3030314301
	Connector cable, ISOBUS job computer, 2.5 m	3030314601
	Connector cable, ISOBUS job computer, 4 m	3030314401
	Connector cable, ISOBUS job computer, 5.5 m	3030314801
	Connector cable, ISOBUS job computer, 6.5 m	3030314001
	Connector cable, ISOBUS job computer, 8.5 m	3030314201
	Connector cable, ISOBUS job computer, 11 m	3030314101
	Connector cable, ISOBUS job computer, 14 m	3030314701
4	Sensor X for speed, 6 m cable without connector, 12 magnets	312583
5	Sensor Y for work position, 5 m cable without connector, with installation equipment	312586
6	Rotational speed sensor, 6 m cable without connector, with installation equipment	302580

## Accessories

7	Connector cable, main to expansion job computer, 0.3 m	30322355
	Connector cable, main to expansion job computer, 1.5 m	30322359
	Connector cable, main to expansion job computer, 3.2 m	30322358
	Connector cable, main to expansion job computer, 6.5 m	30322357
	Connector cable, main to expansion job computer, 10 m	30322356



# Spare parts

ISOBUS	Part no.
ISOBUS non-touch terminal bracket (BT1N)	31322505
ISOBUS touch-terminal bracket	31322506
VESA bracket with bolts for TOUCH terminals	31322512
ISOBUS terminal connector cable, without tractor job computer	31322550
Bracket for joystick	31302015
Connector cable for tractors with ISOBUS in-cab connector	31322541
USB memory device 4 GB, black, for ME terminals as of hardware version 3.0.0 and TOUCH <sub>1200</sub> <sup>®</sup>	3032258915
Extension cable with 9-pin Sub-D connector for ME terminal to ISOBUS basic vehicle harness	30322571
Connector cable A100/A101 with speed output for the terminal	31302457
Y cable for A100 / A101 connection to two terminals	31302459
Connector cable for A100/A101, 6 m for serial interface	31302462
Connector cable for A100/A101, 12 m for serial interface	31302468
Connector cable for AG-STAR, 6 m for serial interface	31302476
Replacement VHF radio antenna, with spring	3130248910
Replacement UHF radio antenna, with spring	3130248911
Magnetic pedestal for UHF / VHF radio antenna	3130248915
Suction bracket with mounting bracket	31302471
Suction bracket without mounting bracket	31302472
Magnetic pedestal with bolt for A100 / A101	31302466
Mounting bracket	312075
LBS/ISO socket	31300405
LBS/ISO connector	31300400
Extension cable for ISOBUS job computer connector/socket, 2 m	3030313801
Extension cable for ISOBUS job computer connector/socket, 6.50 m	30303134
Extension cable for ISOBUS job computer connector/socket, 9.50 m	30303137
SMART430 <sup>®</sup> basic vehicle harness, with CPC connector and 2.5 m connector cable for job computer MIDI 3.0	30322576
SMART430 <sup>®</sup> basic vehicle harness, with CPC connector and 10 m connector cable for job computer MIDI 3.0	30322577
Connector cable for HQ and NQ camera for touch terminals, 10 m	31303062
Connector cable for HQ and NQ camera for non-touch terminals, 10 m	31303063
Connector cable for HQ2 camera for touch terminals, 10 m	31303064

Non-ISOBUS	Part no.
Bracket	31321105
Bracket 1 Spraymat / Unimat (upper part)	312074
Bracket for SPRAYMAT II / UNIMAT II (upper part)	31322505
Connector, 20-pin	312497
SensorY for SPRAYMAT II//UNIMAT II hectare counter with 5 m	312742
S bracket with top hat rail	312226
Adapter for switch boxes up to '93 to computers as of '94 (UNI-Control S / SPRAY-Control S)	312237

# Spare parts

Non-ISOBUS	Part no.
Tractor junction box, S Standard, with sensor X	312240
Sensor X for drive shaft or wheel, 6 m cable with 12-pin connector, without installation equipment	312265
Connector cable ISO-11786 for connection to the signal socket with a 12-pin connector	312243
Adapter cable to signal connector in accordance with DIN 9684.1 (7-pin) KHD, UNIMOG (Unicomp), FENDT, John Deere, Case-Steyr	312662
Adapter cable for FENDT signal socket (4-pin), for junction box	312660
Adapter cable for signal socket in accordance with DIN 9684.1 (7-pin) for junction box KHD, UNIMOG (Unicomp), FENDT, John Deere, Case-Steyr junction boxes, with 3-pin connector	312120
Adapter for signal socket FENDT (4-pin), with 3-pin connector	312123
Adapter for MB-Trac, with electrical km/h display and 3-pin connector	312125
Speedometer adapter UNIMOG, 5 m cable with 3-pin connector	312087
Speedometer adapter UNIMOG, 5 m cable without connector	312670
Relay circuit board for switch box with circuit board, up to 12/91, 4 relays, cable with ferrule	312308
Relay circuit board for switch box without circuit board, up to 12/91, 4 relays, stem clamp	312310
Relay circuit board for switch box with circuit board, from 01/92, 2 relays, cable with ferrule	312306
Relay circuit board for switch box without circuit board, from 01/92, 2 relays, stem clamp	312303
Neoprene cap with synthetic plate for momentary switches and switches	NET 326680
16-pin aluminium coupling	312498
20-pin connector	312497
24-pin aluminium coupling	302470
30-pin connector with protective cap	312499
30-pin female multipoint connector (complete)	31249901
39-pin connector with protective cap	31249905
39-pin female multipoint connector (complete)	31249910
40-pin coupling	302490
64-pin coupling	31249810
Switch for switch box S2 or SPRAYDOS, can be used as section main switch, section switch, on/off switch	31247300
Switch for switch box S2 or SPRAYDOS, with center position (e.g. for foam marker)	31247305
Key for switch box S2 or SPRAYDOS for hydraulic functions (control +/-)	31247310
Switch, 2-pin, 6 A (large), section switch, ON/OFF, manual/automatic	31247350
Switch 1-pin, 6 A (large), commutator	31247355
Switch, 2-pin, 20 A (large), section main switch	31247360
Switch, 1-pin, 15 A (large), centre position	31247365
Switch 1-pin, 15 A (large), switch box ON/OFF	31247370
Momentary switch 2-pin, 10 A (large), +/- control	31247375
NAV-900 "QuickRelease" mounting bracket	3038990026
Connector cable power supply for modem GX450	3038990030
Connector cable NAV-900 to MotorDrive	3138990002
Extension connector cable to NAV-900	3138990003
Connector cable to NAV-900, 5 m	3138990004

# Spare parts

Sensors	Part no.
Sensor X for drive shaft/wheel, 6 m cable without connector, for junction box, without installation equipment	312600
Sensor X for drive shaft/wheel, 10 m cable without connector, for junction box, without installation equipment	312601
Sensor X for drive shaft/wheel, 6 m cable without connector, for junction box, with installation equipment	312580
Sensor X for drive shaft/wheel, 6 m cable with connector, without installation equipment	312084
Sensor X for drive shaft/wheel, 6 m cable with connector, with installation equipment	312083
Sensor X for wheel, 10 m cable with connector, without installation equipment	312086
Sensor X for wheel, 10 m cable with connector, with installation equipment with 12 magnets (trailed sprayer)	312085
Sensor X for trailed sprayer, 6 m cable without connector with 12 magnets, complete	312583
Sensor X for forwards-/backwards analysis, 12 m cable without connector, without installation equipment	312082
Sensor X for forwards-/backwards analysis, 12 m cable with connector, with installation equipment	312081
Sensor Y for work position, 5 m cable without connector, for implement junction box, without installation equipment	312606
Sensor Y for work position, 5 m cable without connector, for implement junction box, with installation equipment	312586
Sensor Y for work position, 5 m cable with connector, without installation equipment	312090
Sensor Y for work position, 5 m cable with connector, with installation equipment	312089
Rotational speed sensor, 8 m cable without connector, for machine junction box, without installation equipment	312613
Inductive sensor 12 mm, 6 m cable without connector	312162
Inductive sensor 18 mm, 6 m cable without connector	312164
Sensor X accessories bag, drive shaft	312112
Pressure gauge (LCD 4-digit) without pressure sensor	312430
Pressure gauge with key, without pressure sensor	31243010
Pressure sensor, 0 - 50 bar, 9 m cable	312428
Pressure sensor, 0-16 bar, 1 m cable with AMP connector	30303591
Flow meter Polmac 1", without sensor and mounting parts	312440
TANKMETER display device	312509
Sensor for Polmac 1", flow meter spare	312446
Sensor for Polmac 1", flow meter spare, with AMP connector	31244610
Sensor for Polmac 2", flow meter spare	31244710
Flow meter Polmac 1", spare part without turbine wheel	312450
Flow meter Polmac 1", Turbo-Flow spare part without turbine wheel	31245010
Flow meter Polmac 1", spare turbine wheel	312451
Fan wheel for Bürkert Inline (as of 2000)	31244420
Electronics for Bürkert Inline (as of 2000)	31244415
Magnet with screw V2A	312140
Clamp, 27/51 mm with 1 magnet for drive shaft	312136
Clamp, 50/70 mm with 1 magnet for drive shaft	312137
Clamp, 27/51 mm with 2 magnets for RPM monitoring	312139
PTO shaft plate, complete with magnet and screw	312135
Installation power socket from 1/91 for battery cable (socket)	312156
Equipment connector from 1/91 for computer (tacks)	312157
TANK-Control display unit	31252000



# Spare parts

Sensors	Part no.
Clamp, 27/51 mm with 1 magnet for drive shaft	312136
Clamp, 50/70 mm with 1 magnet for drive shaft	312137
Clamp, 27/51 mm with 2 magnets for RPM monitoring	312139
PTO shaft plate, complete with magnet and screw	312135
Installation power socket from 1/91 for battery cable (socket)	312156
Equipment connector from 1/91 for computer (tacks)	312157

Cabling	Part no.
Connector cable GPS receiver A100/A101 to ME terminal, 6 m	31302462
Connector cable GPS receiver A100/A101 to ME terminal, 12 m	31302468
Connector cable GPS receiver A100/A101, with speed output for the terminal	31302457
Mounting accessories for A100/A101 self-adhesive metal plate, counterpart to the magnetic pedestal	31302465
Connector cable GPS receiver AG-STAR/SMART-6L to ME terminal, 6 m	31302476
Connector cable GPS receiver AG-STAR/SMART-6L to ME terminal, 12 m	3130247607
Connector cable GPS receiver AG-STAR, with speed output for the terminal	31302454
Mounting accessories for AG-STAR/SMART-6L self-adhesive metal plate, counterpart to the magnetic pedestal	3130247601
Connector cable for GPS receiver Ag-200, 6 m	3130247700
Connector cable for GPS receiver Ag-200, 12 m	3130247703
Mounting accessories for Ag-200	3130247702
Connector cable for GPS receiver NAV-900, 6 m	upon request
Connector cable for GPS receiver NAV-900, 12 m	upon request
Mounting plate for NAV-900	upon request
AMP connector, 3-pin, for sensor	31300561
AMP socket, 3-pin, for sensor	31300571
AMP dummy connector, 3-pin (on cable harness)	31300540
AMP connector, 4-pin, for sensor	31300562
AMP socket, 4-pin, for sensor	31300572
AMP dummy connector, 4-pin (on cable harness)	31300541
AMP connector, 5-pin, for sensor	31300563
AMP connector, 42-pin, complete, for job computer	31300545
AMP socket casing, 16-pin, complete, for job computer	31300552
Connector cable for sensors, 1.10 m with 3-pin AMP socket to junction box	3030329706
Connector cable for sensors, 2 m with 3-pin AMP socket to junction box	30303294
Connector cable for sensors, 4 m with 3-pin AMP socket to junction box	30303296
Connector cable for sensors, 6 m with 3-pin AMP socket to junction box	30303295
Connector cable for sensors, 8 m with 3-pin AMP socket to junction box	30303297
Connector cable for sensors, 10 m with 3-pin AMP socket to junction box	3030329705
Connector cable for sensors, 12 m with 3-pin AMP socket to junction box	30303298

# Spare parts

Cabling		Part no.
Connector cable for sensors, 20 m with 3-pin AMP socket to junction box		30303289
Angle sensor 30° with AMP connector, without cable, with boom		30303672
Angle sensor 60° with AMP connector, without cable, with boom		30303673
Angle sensor 120° with AMP connector, without cable, with boom		30303675
Gyroscope without bracket		31303160
Bracket for gyroscope		31303161
Sensor X for drive shaft or wheel, 1 m cable with AMP connector, without installation equipment		31302006
Sensor Y, 1 m cable with AMP connector without installation material		31302506
Inductive sensor 12 mm, 1 m cable with AMP connector, 4 mm switching distance		30303625
Inductive sensor 18 mm, 1 m cable with AMP connector, 8 mm switching distance		30303631
Level sensor, 1 m cable with AMP connector		30303650
Ultrasonic sensor for boom control		30217518
Cap for 42-pin connector to cable harness		31300554
AMP connector, 2-pin, for sensor		31300560
AMP socket, 2-pin, for sensor		31300570
AMP dummy connector, 2-pin (on cable harness)		31300539

Solenoid valve/manifold spare parts		Part no.
Free-wheeling diode solenoid valve		312399
ARAG section valve		31236110

Other Information		Part no.
Service case	NET	30309980
Crimping pliers and dent-levelling tool	NET	30309990
Test device for cable harness	NET	30309960





A TRIMBLE COMPANY

**Müller-Elektronik GmbH**

Franz-Kleine-Straße 18 . 33154 Salzkotten . Germany  
Tel. +49 5258 9834-0 . Fax +49 5258 9834-90  
info@mueller-elektronik.de . www.mueller-elektronik.de

10/2019 . Subject to change.